

February 2020



Industrial Fittings

Trade Price Guide



RWC



QUALITY OF MANUFACTURING

Our philosophy is to build quality into each manufacturing process ensuring that customer requirements are satisfied and standards are maintained.

COMMITMENT TO QUALITY

As a Quality endorsed Company, we have introduced system and procedures that complement the commitment of our workforce to quality.

CUSTOMER SERVICE COMMITMENT

The success of in the manufacture of Industrial Brass Fittings and associated products stem from our commitment to customer service.



-  0800 800 523
-  +64 9 634 2893
-  +64 9 634 8029
-  sales.nz@rwc.com
-  orders.nz@rwc.com
-  relianceworldwide.co.nz



Reliance Worldwide Corporation (NZ.) Ltd.
PO BOX 13-349, Onehunga, Auckland 6.
305 Neilson Street, Onehunga, Auckland 1061,
New Zealand | NZBN 9429000011358

Terms and Conditions

No party should rely upon the contents of this publication as to the fitness of any particular product for any particular use or application. Goods are offered with the benefit of the manufacturers warranty but Reliance Worldwide Corporation (NZ) Ltd. shall not be liable for any loss or damage either direct or consequential arising out of any defects.

Reliance Worldwide Corporation reserves the right to modify designs and specifications and to withdraw and introduce products at any time without notice.

No part of this publication may be reproduced, copied or transmitted in any form by any means graphic, electronic or mechanical (including photo-copying, recording, taping or by any information storage and retrieval system) without prior permission in writing of the publisher Reliance Worldwide Corporation (Aust.) Pty. Ltd.

Reliance Worldwide Corporation Warranty

Reliance Worldwide Corporation (NZ) Ltd. (RWC) will either replace or repair any defective goods where the defect arose as a result of manufacture for one (1) year (see website for more details). You may contact RWC at the phone number, address or e-mail shown and will be required to return the goods for evaluation. Should the defect be found to be one of our manufacture we will send you a replacement product to your stated address at our expense. RWC's goods come with guarantees that cannot be excluded under the New Zealand Consumer Guarantees Act (CGA). You are entitled to a replacement or refund for a major failure and for compensation for any other reasonably foreseeable loss or damage. You are also entitled to the goods repaired or replaced if the goods fail to be of acceptable quality and the failure does not amount to a major failure.

© 2020 All rights reserved

Flare

45° Flare

39P	Flare Plug	5
40C	Flare Cap	5
41S	Short Flare Nut	5
41	Long Flare Nut	6
42	Double Flare Union	6
44	Flare Tee	6
45	Flare Male Branch Tee	7
46	Flare Female Connector	7
48	Flare Male Connector	8
49	Flare Male Elbow	8
55	Flare 90° Elbow	9
58	Reducing Flare Union	9

45° Gas Flare

GFC	Gas Flare Assembly	10
GFF	Gas Flare Female Connector	10
GFN	Gas Flare Not	10

45° Inverted Flare

105	Inverted Flare Nut	11
200	Inverted Flare Male Connector	11
400	Inverted Flare Male Elbow	11

Profiles

Profiles	12
----------	----

Compression Fittings

60N	Sleeve (for all materials)	14
60	Sleeve (for copper)	14
61	Compression Nut	14
261	Hose Insert	15
62	Double union	15
62R	Reducing Union	15
64	Union Tee	16
65	Union Elbow	16
66	Female Connector	16
68	Male Connector	17
69	Male Elbow	18
70	Female Elbow	18
71	Union Male Run Tee	19
72	Union Male Branch Tee	19
76	Male/Female Run Tee	19
M62	Metric Double Union	20
M64	Metric Union Tee	20
M65	Metric Union Elbow	20
M66	Metric Female Connector	20
M68	Metric Male Connector	21
M69	Metric Male Elbow	21

Pipe Fittings

3133	Cap	23
3152	Hex Plug	23
3200	Male to Female Adaptor	23
3233	Flush Mount Reducing Bush	24
3224	Reducing Bush	24
3300	Hex Socket	24
3304	Reducing Socket	25
3324	Reducing Nipple	25
3325	Hex Nipple	25
3327	Long Hex Barrel Nipple	26
3400	Male to Female 90° Elbow	26
340045	Male to Female 45° Elbow	27
3500	Female 90° Elbow	27
3500	Female 45° Elbow	27
3600	Male 90° Elbow	27
3700	Female Tee	28
3900	Female Cross	28
400	Male Run/Female Tee	28

Metric Pipe Fittings

3152M	Metric Hex Plug	29
3200M	Male to Female Adaptor	29
3224M	Reducing Bush	29
3300M	Hex Socket	30
3324M	Reducing Nipple	30

NPT Pipe Fittings

NPT3200BSP	Male BSP to Female NPT Adaptor	31
3300NPT	NPT Hex Socket	31
3152NPT	NPT Hex Plug	31

Airline

201	Swivel Connector	33
202	Male Elbow	33
203	Airline Tee	34
204	AirLine Elbow	34
205	AirLine Joiner	34
206	Male Branch Tee	35
207	Female Connector	35
209	Male Connector	36
209ST	Swivel Male Connector	37
205R	Air Line Joiner	37

Conversion Tables

Conversion Tables	38
-------------------	----

Lever Taps and Cocks

DB1	Bent Drain Cock	40
DT3	Drain Cock	40
104	Female Lever Tap	40
404	Male to Female Lever Tap	40

Needle Valves

NV40	45° Flare Angle Needle Valve	42
NV41	Compression Angle Needle Valve	42
NV43	Compression Male Needle Valve	42
NVP40	Barb Angle Needle Valve	43
NV104	Female Needle Valve	43
NV105	Male Needle Valve	43
NV404	Male to Female Needle Valve	43

Miscellaneous

	Fleet Fit	44
BUL	Lightweight Bulkhead Union	45
BUL	Bulkhead Union	45
111	Lock Nut	45
06775	Self Store Fitting	45
06C	Fuel Filter Adaptor - Long Nose	46
6C	Fuel Filter Adaptor	46
DC	Drain Cock	46
TF206	Relief Valve	46

Hose Clips

295	Mild Steel Jubilee Hose Clips	47
296	Stainless Steel Jubilee Hose Clips	47
11	Oetiker 2-Ear Clamps - 5000 kPa	48

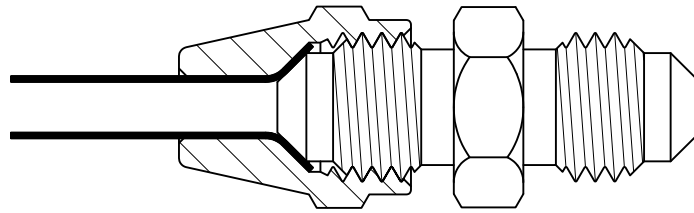
Ball Valves

070	"Berlin" Female/Female	49
071	"Berlin" Male/Female	49
072	"Berlin" Female/Female T Handle	50
073	"Berlin" Male/Female T Handle	50

Order Form

Order Form		52
------------	--	----

45° Flare



TITON Flare Fittings are manufactured especially with hazardous liquids and gasses in mind. They are available in sizes ranging from 1/8" to 3/4", and are manufactured from high quality DZR grade brass alloy. All flare fittings conform to the following standards: AS D26, AS3688, AG 601-1995, NZG 1993/76.

ADVANTAGES

May be assembled/disassembled numerous times. When used with the appropriate tubing, they can withstand high pressures. For improved resistance to mechanical vibration, the Long Flare Nut may be used.

APPLICATIONS

Use with copper, brass, aluminium, and flareable steel pipe. Install where medium to high pressures are encountered. Flare Fittings, when used with the Long Flare Nut, provide good resistance to vibration. Ideal for use with fuel, oil, air, water and Natural Gas lines. In Applications where temperatures extremes are encountered we recommend the use of stress-relieved fittings. Please contact our technical sales department for more information.

WORKING PRESSURES

TITON Flare Fittings are able to withstand high pressures, use the table below as a guideline. Usually, pressures are determined by the pipe used, rather than the Flare Fitting.

SPECIAL SIZES

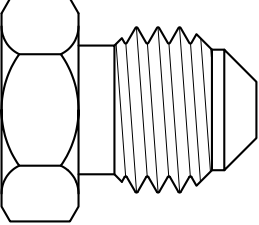
Other sizes not specified are available upon request.

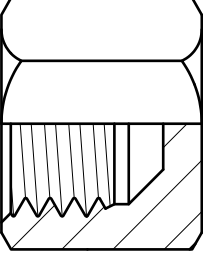
ASSEMBLY

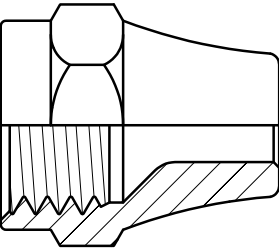
- I. Slide nut, tapered end first, onto tubing.
- II. Using a 45° flaring tool, flare end of tube until flare just fits inside nut. (On thin wall tubing it is recommended a double flare is used to prevent pinch off.)
- III. Assemble to fitting body. Nut should be tightened hand tight.
- IV. Using a wrench, tighten until a leak-proof, metal to metal joint is achieved. To avoid premature failure of the fitting, do not over-tighten.

Tube Size	Hydraulic kPa [PSI]	Pneumatic kPa [PSI]
1/8	17250 [2500]	4800 [700]
3/16	17250 [2500]	4800 [700]
1/4	13750 [2000]	4800 [700]
5/16	13750 [2000]	4800 [700]
3/8	10400 [1500]	2750 [400]
1/2	7000 [1020]	1750 [250]
5/8	7000 [1020]	1750 [250]
3/4	7000 [1020]	1750 [250]

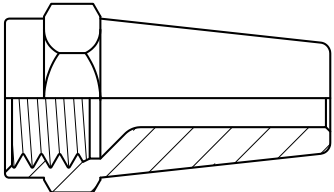
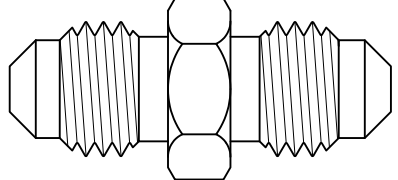
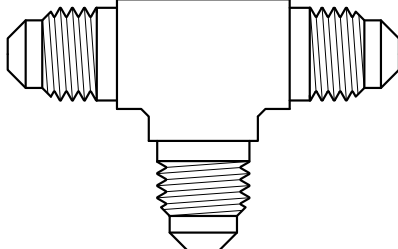
45° Flare

<h2>39P</h2> 	<h3>Flare Plug</h3>				
	Part Number	Standard Pack	Tube	Pipe Thread	Price Per Piece
	39P04	5	1/4	-	2.88
	39P05	5	5/16	-	3.99
	39P06	5	3/8	-	5.40
	39P08	5	1/2	-	9.93
	39P10	5	5/8	-	13.94

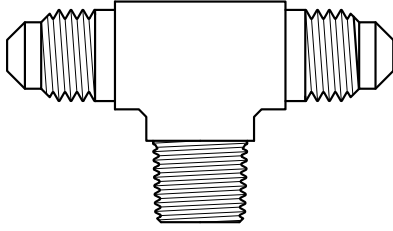
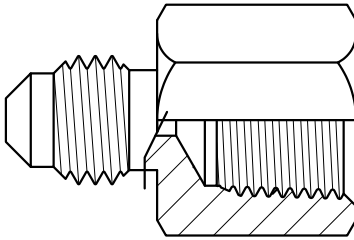
<h2>40C</h2> 	<h3>Flare Cap</h3>				
	Part Number	Standard Pack	Tube	Pipe Thread	Price Per Piece
	40C04	5	1/4	-	2.36
	40C05	5	5/16	-	2.29
	40C06	5	3/8	-	3.22
	40C08	5	1/2	-	8.20

<h2>41S</h2> 	<h3>Short Flare Nut</h3>				
	Part Number	Standard Pack	Tube	Pipe Thread	Price Per Piece
	41S02	50	1/8	-	1.98
	41S03	50	3/16	-	1.65
	41S04	50	1/4	-	2.14
	41S05	50	5/16	-	2.88
	41S06	25	3/8	-	4.16
	41S08	20	1/2	-	6.50
	41S10	10	5/8	-	12.14
	41S12	10	3/4	-	19.51

45° Flare

Long Flare Nut					41
Offers Improved Resistance To Vibration.					
Part Number	Standard Pack	Tube	Pipe Thread	Price Per Piece	
4102	25	1/8	-	1.85	
4103	25	3/16	-	3.31	
4104	25	1/4	-	2.76	
4105	25	5/16	-	3.39	
4106	25	3/8	-	4.47	
4108	20	1/2	-	7.80	
4110	10	5/8	-	19.41	
4112	10	3/4	-	23.25	
Double Flare Union					42
For Reducing Unions See No 58.					
Part Number	Standard Pack	Tube	Pipe Thread	Price Per Piece	
4202	20	1/8	-	3.43	
4203	20	3/16	-	2.57	
4204	25	1/4	-	2.67	
4205	25	5/16	-	2.73	
4206	25	3/8	-	4.25	
4208	10	1/2	-	7.89	
4210	10	5/8	-	15.02	
4212	10	3/4	-	18.86	
Flare Tee					44
For Reducing Unions See No 58.					
Part Number	Standard Pack	Tube	Pipe Thread	Price Per Piece	
4402	10	1/8	-	11.92	
4403	10	3/16	-	11.71	
4404	10	1/4	-	15.77	
4405	10	5/16	-	18.00	
4406	10	3/8	-	23.46	
4408	10	1/2	-	27.75	
4410	10	5/8	-	45.53	

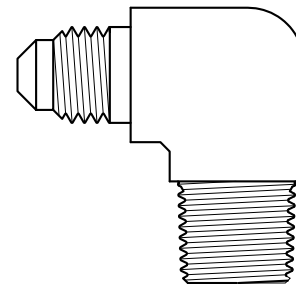
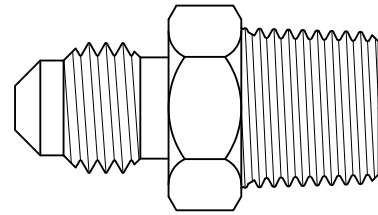
45° Flare

45	Flare Male Branch Tee				
	Part Number	Standard Pack	Tube	Pipe Thread	Price Per Piece
	450302	* 10	3/16	1/8 BSPT	13.04
	450402	* 10	1/4	1/8 BSPT	19.60
	450404	* 10	1/4	1/4 BSPT	23.25
	450502	* 10	5/16	1/8 BSPT	20.85
	450604	* 10	3/8	1/4 BSPT	24.53
	450806	* 10	1/2	3/8 BSPT	29.92
46	Flare Female Connector				
	Part Number	Standard Pack	Tube	Pipe Thread	Price Per Piece
	460202	10	1/8	1/8 BSPP	5.17
	460302	10	3/16	1/8 BSPP	9.51
	460402	10	1/4	1/8 BSPP	4.44
	460404	10	1/4	1/4 BSPP	5.84
	460406	10	1/4	3/8 BSPP	6.61
	460502	* 10	5/16	1/8 BSPP	5.93
	460504	10	5/16	1/4 BSPP	5.98
	460602	* 10	3/8	1/8 BSPP	7.75
	460604	10	3/8	1/4 BSPP	6.46
	460606	10	3/8	3/8 BSPP	11.14
	460608	10	3/8	1/2 BSPP	15.40
	460804	10	1/2	1/4 BSPP	15.80
	460806	10	1/2	3/8 BSPP	14.20
	460808	10	1/2	1/2 BSPP	17.32
	461208	10	3/4	1/2 BSPP	38.70
	461212	1	3/4	3/4 BSPP	53.29

45° Flare

Flare Male Connector					48
Part Number	Standard Pack	Tube	Pipe Thread	Price Per Piece	
480202	20	1/8	1/8 BSPT	2.92	
480302	20	3/16	1/8 BSPT	2.57	
480304	-	3/16	1/4 BSPT	6.97	
480402	20	1/4	1/8 BSPT	2.37	
480404	20	1/4	1/4 BSPT	3.22	
480406	20	1/4	3/8 BSPT	7.60	
480408	20	1/4	1/2 BSPT	10.23	
480502	20	5/16	1/8 BSPT	3.22	
480504	20	5/16	1/4 BSPT	3.62	
480506	20	5/16	3/8 BSPT	5.77	
480508	-	5/16	1/2 BSPT	10.52	
480602	20	3/8	1/8 BSPT	5.06	
480604	20	3/8	1/4 BSPT	5.50	
480606	20	3/8	3/8 BSPT	6.34	
480608	20	3/8	1/2 BSPT	10.23	
480612	10	3/8	3/4 BSPT	20.93	
480804	20	1/2	1/4 BSPT	10.23	
480806	10	1/2	3/8 BSPT	7.60	
480808	10	1/2	1/2 BSPT	10.23	
480812	*	-	1/2	3/4 BSPT	20.93
481006	5	5/8	3/8 BSPT	12.58	
481008	5	5/8	1/2 BSPT	12.58	
481012	5	5/8	3/4 BSPT	20.97	
481208	5	3/4	1/2 BSPT	20.97	
481212	5	3/4	3/4 BSPT	20.97	

Flare Male Elbow					49
Part Number	Standard Pack	Tube	Pipe Thread	Price Per Piece	
490202	20	1/8	1/8 BSPT	9.01	
490302	20	3/16	1/8 BSPT	7.59	
490402	25	1/4	1/8 BSPT	7.59	
490404	25	1/4	1/4 BSPT	9.81	
490406	25	1/4	3/8 BSPT	19.11	
490502	25	5/16	1/8 BSPT	8.70	
490504	25	5/16	1/4 BSPT	8.96	
490506	25	5/16	3/8 BSPT	18.71	

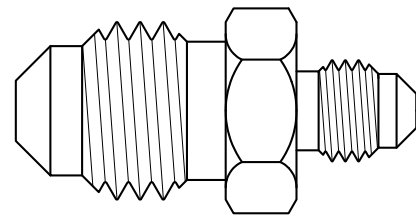
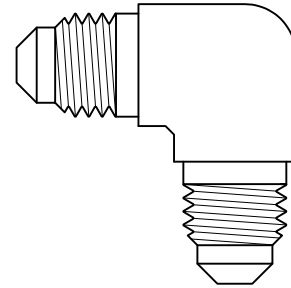


Continued on next page...

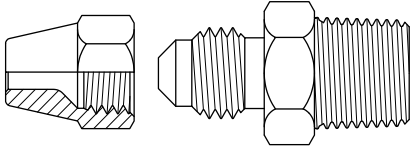
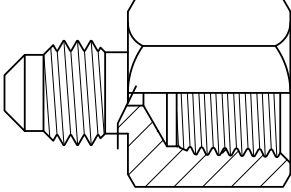
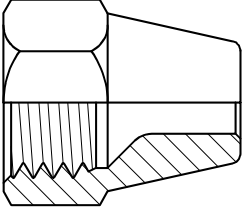
45° Flare

Flare 90° Elbow					55
Part Number	Standard Pack	Tube	Pipe Thread	Price Per Piece	
5502	10	1/8	-	24.64	
5503	10	3/16	-	16.27	
5504	10	1/4	-	16.31	
5505	10	5/16	-	15.94	
5506	10	3/8	-	23.69	
5508	10	1/2	-	26.13	
5510	10	5/8	-	32.77	

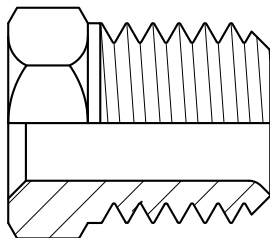
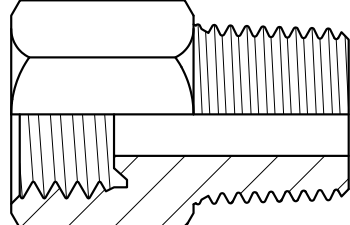
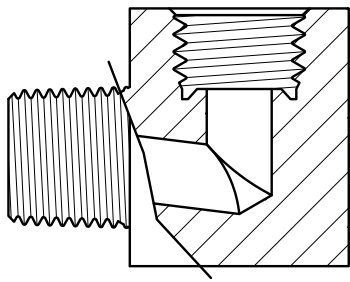
Reducing Flare Union					58
Part Number	Standard Pack	Tube	Tube	Price Per Piece	
For Double Flare Unions See No 42.					
580403	10	1/4	3/16	7.45	
580504	10	5/16	1/4	7.39	
580604	10	3/8	1/4	14.84	
580605	10	3/8	5/16	14.84	
580806	10	1/2	3/8	16.13	



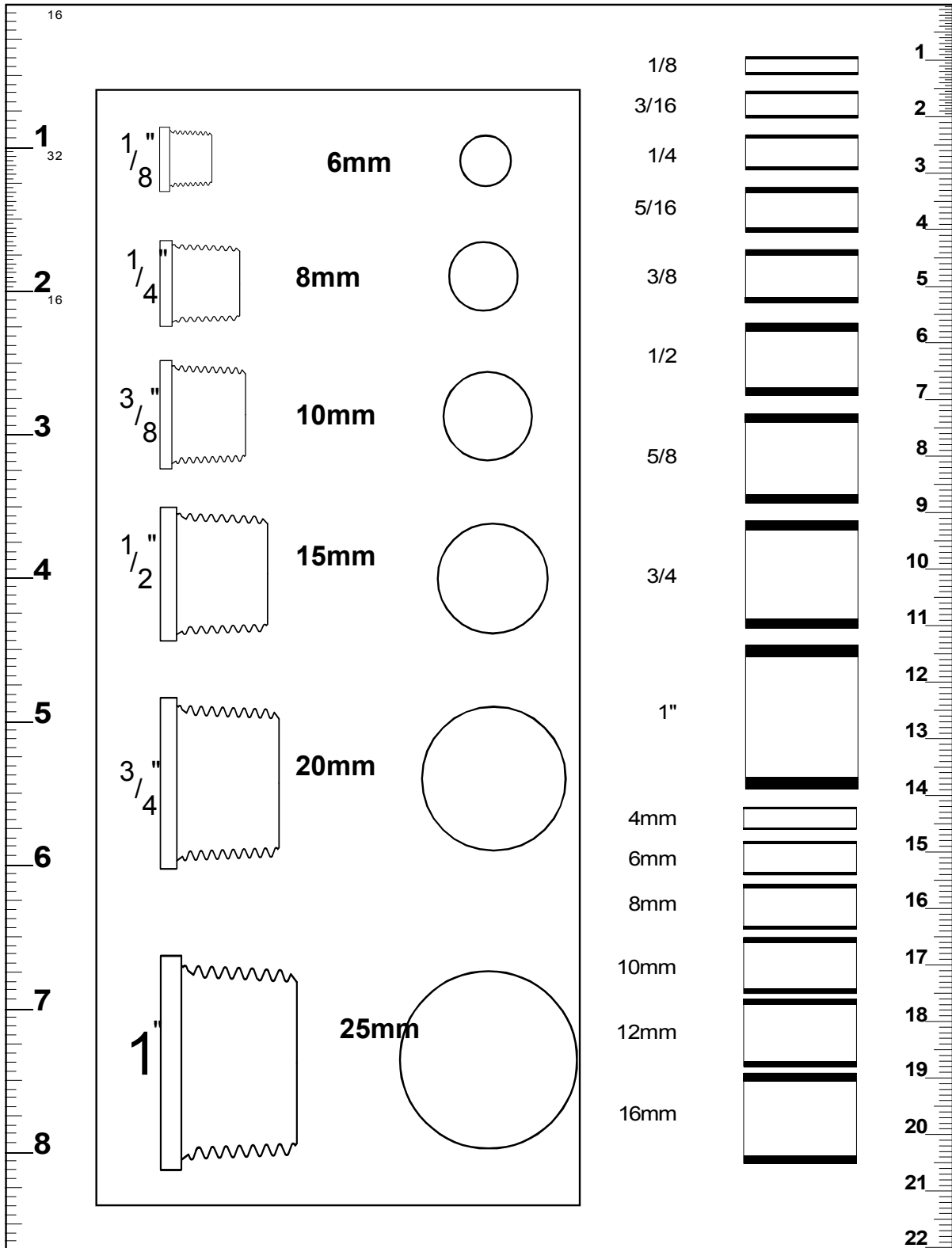
45° Gas Flare

<h2>GFC</h2> 	<h3>Gas Flare Assembly</h3> <p>Consists of GFN Nut and GFM Connector</p> <table border="1"> <thead> <tr> <th>Part Number</th> <th>Standard Pack</th> <th>Tube</th> <th>Pipe Thread</th> <th>Price Per Piece</th> </tr> </thead> <tbody> <tr> <td>GFC1006</td> <td>10</td> <td>10 mm</td> <td>3/8 BSPT</td> <td>10.14</td> </tr> <tr> <td>GFC1008</td> <td>10</td> <td>10 mm</td> <td>1/2 BSPT</td> <td>12.56</td> </tr> <tr> <td>GFC1508</td> <td>10</td> <td>15 mm</td> <td>1/2 BSPT</td> <td>13.87</td> </tr> <tr> <td>GFC2012</td> <td>10</td> <td>20 mm</td> <td>3/4 BSPT</td> <td>24.68</td> </tr> </tbody> </table>	Part Number	Standard Pack	Tube	Pipe Thread	Price Per Piece	GFC1006	10	10 mm	3/8 BSPT	10.14	GFC1008	10	10 mm	1/2 BSPT	12.56	GFC1508	10	15 mm	1/2 BSPT	13.87	GFC2012	10	20 mm	3/4 BSPT	24.68
Part Number	Standard Pack	Tube	Pipe Thread	Price Per Piece																						
GFC1006	10	10 mm	3/8 BSPT	10.14																						
GFC1008	10	10 mm	1/2 BSPT	12.56																						
GFC1508	10	15 mm	1/2 BSPT	13.87																						
GFC2012	10	20 mm	3/4 BSPT	24.68																						
<h2>GFF</h2>  <p>Stress Relieved</p>	<h3>Gas Flare Female Connector</h3> <table border="1"> <thead> <tr> <th>Part Number</th> <th>Standard Pack</th> <th>Tube</th> <th>Pipe Thread</th> <th>Price Per Piece</th> </tr> </thead> <tbody> <tr> <td>GFF1508</td> <td>10</td> <td>15 mm</td> <td>1/2 BSPT</td> <td>13.86</td> </tr> <tr> <td>GFF2012</td> <td>10</td> <td>20 mm</td> <td>3/4 BSPT</td> <td>24.68</td> </tr> </tbody> </table>	Part Number	Standard Pack	Tube	Pipe Thread	Price Per Piece	GFF1508	10	15 mm	1/2 BSPT	13.86	GFF2012	10	20 mm	3/4 BSPT	24.68										
Part Number	Standard Pack	Tube	Pipe Thread	Price Per Piece																						
GFF1508	10	15 mm	1/2 BSPT	13.86																						
GFF2012	10	20 mm	3/4 BSPT	24.68																						
<h2>GFN</h2>  <p>Stress Relieved</p>	<h3>Gas Flare Nut</h3> <table border="1"> <thead> <tr> <th>Part Number</th> <th>Standard Pack</th> <th>Tube</th> <th>Pipe Thread</th> <th>Price Per Piece</th> </tr> </thead> <tbody> <tr> <td>GFN10</td> <td>10</td> <td>10 mm</td> <td>-</td> <td>3.70</td> </tr> <tr> <td>GFN15</td> <td>10</td> <td>15 mm</td> <td>-</td> <td>5.50</td> </tr> <tr> <td>GFN20</td> <td>10</td> <td>20 mm</td> <td>-</td> <td>12.15</td> </tr> </tbody> </table>	Part Number	Standard Pack	Tube	Pipe Thread	Price Per Piece	GFN10	10	10 mm	-	3.70	GFN15	10	15 mm	-	5.50	GFN20	10	20 mm	-	12.15					
Part Number	Standard Pack	Tube	Pipe Thread	Price Per Piece																						
GFN10	10	10 mm	-	3.70																						
GFN15	10	15 mm	-	5.50																						
GFN20	10	20 mm	-	12.15																						

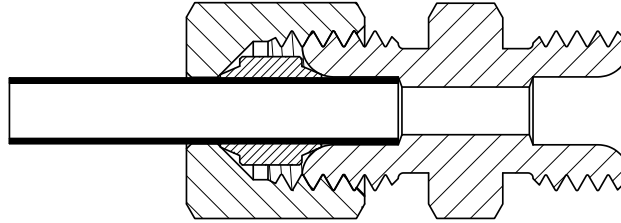
45° Inverted Flare

Inverted Flare Nut						105
Part Number	Standard Pack	Tube	Pipe Thread	Price Per Piece		
10502	*	20	1/8	-	3.55	
10503	*	20	3/16	-	3.10	
10504	*	20	1/4	-	3.13	
10505	*	20	5/16	-	3.87	
10506	*	20	3/8	-	5.01	
10508	*	10	1/2	-	5.58	
Inverted Flare Male Connector						
Part Number	Standard Pack	Tube	Pipe Thread	Price Per Piece		
2000302	*	20	3/16	1/8 BSPT	5.72	
2000402	*	20	1/4	1/8 BSPT	7.76	
2000404	*	20	1/4	1/4 BSPT	9.08	
2000502	*	20	5/16	1/8 BSPT	6.86	
2000504	*	20	5/16	1/4 BSPT	12.44	
2000604	*	10	3/8	1/4 BSPT	12.22	
2000806	*	10	1/2	3/8 BSPT	45.16	
Inverted Flare Male Elbow						400
Part Number	Standard Pack	Tube	Pipe Thread	Price Per Piece		
4000202	*	10	1/8	1/8 BSPT	11.85	
4000302	*	10	3/16	1/8 BSPT	10.58	
4000402	*	20	1/4	1/8 BSPT	11.89	
4000404	*	20	1/4	1/4 BSPT	26.24	
4000502	*	20	5/16	1/8 BSPT	14.50	
4000504	*	20	5/16	1/4 BSPT	23.57	
4000604	*	10	3/8	1/4 BSPT	22.88	
4000606	*	10	3/8	3/8 BSPT	22.88	
4000806	*	10	1/2	3/8 BSPT	47.14	

Profiles



Compression Fittings



TITON Compression Fittings are designed to comply with established industry standards. This economical fitting is available in a wide range of off-the-shelf sizes and styles. They are manufactured from high quality DZR brass alloy.

ADVANTAGES

Simple to assemble. No soldering, flaring or deburring is necessary. Suitable for use in a wide variety of applications.

APPLICATIONS

May be used with copper, aluminium, brass, and plastic tubing. Use with steel tubing is not recommended. Installation should be where low to medium pressures are encountered, and modest tube vibration/movement is involved. Suitable for hazardous liquids, oils, and fuel.

Not recommended for use with gas

WORKING PRESSURES

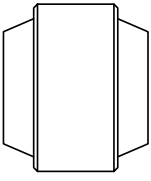
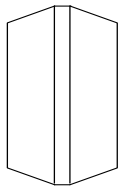
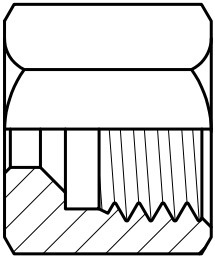
Generally, working pressure is dependant upon the type of tubing used and not the fitting. Consequently the table shown below should be used as a guide only.

ASSEMBLY

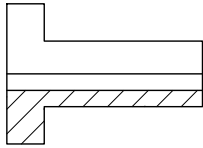
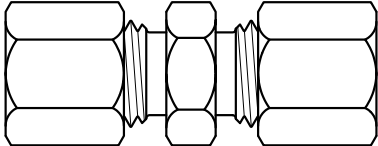
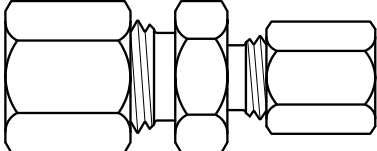
- I. Slide nut then sleeve onto tube ensuring threaded end of nut is facing the sleeve.
- II. If using a plastic tube, push a 261 Insert into tube to prevent tube from collapsing.
- III. Insert the tube into the fitting until the tube has bottomed onto the fitting shoulder.
- IV. Screw nut onto the fitting and tighten "hand tight". **Using the table below, follow the number of additional wrench turns.**

Tube Size	Hydraulic kPa [PSI]	Pneumatic kPa [PSI]	Wrench Turns
1/8	3500 [500]	2000 [290]	1
3/16	3500 [500]	1750 [250]	1
1/4	2750 [400]	1400 [200]	1
5/16	2750 [400]	1400 [200]	1
3/8	2000 [290]	1050 [150]	1
1/2	2000 [290]	1050 [150]	1½
5/8	1400 [200]	700 [100]	1½
3/4	1400 [200]	700 [100]	1½

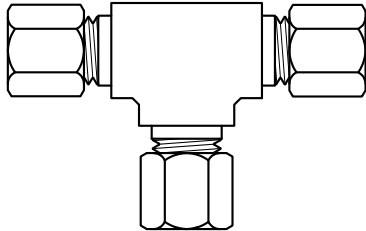
Compression Fittings

<p>60N</p> 	<p style="text-align: center;">Sleeve</p> <p style="text-align: center;">For All Materials. Ideal For Nylon</p> <table border="1"> <thead> <tr> <th>Part Number</th> <th>Standard Pack</th> <th>Tube</th> <th>Pipe Thread</th> <th>Price Per Piece</th> </tr> </thead> <tbody> <tr><td>60N02</td><td>100</td><td>1/8</td><td>-</td><td>0.24</td></tr> <tr><td>60N03</td><td>100</td><td>3/16</td><td>-</td><td>0.34</td></tr> <tr><td>60N04</td><td>100</td><td>1/4</td><td>-</td><td>0.34</td></tr> <tr><td>60N05</td><td>100</td><td>5/16</td><td>-</td><td>0.38</td></tr> <tr><td>60N06</td><td>100</td><td>3/8</td><td>-</td><td>0.48</td></tr> <tr><td>60N08</td><td>50</td><td>1/2</td><td>-</td><td>1.32</td></tr> <tr><td>60N10</td><td>50</td><td>5/8</td><td>-</td><td>2.47</td></tr> <tr><td>60N12</td><td>50</td><td>3/4</td><td>-</td><td>3.40</td></tr> <tr><td>60N16</td><td>1</td><td>1"</td><td>-</td><td>4.19</td></tr> </tbody> </table>	Part Number	Standard Pack	Tube	Pipe Thread	Price Per Piece	60N02	100	1/8	-	0.24	60N03	100	3/16	-	0.34	60N04	100	1/4	-	0.34	60N05	100	5/16	-	0.38	60N06	100	3/8	-	0.48	60N08	50	1/2	-	1.32	60N10	50	5/8	-	2.47	60N12	50	3/4	-	3.40	60N16	1	1"	-	4.19
Part Number	Standard Pack	Tube	Pipe Thread	Price Per Piece																																															
60N02	100	1/8	-	0.24																																															
60N03	100	3/16	-	0.34																																															
60N04	100	1/4	-	0.34																																															
60N05	100	5/16	-	0.38																																															
60N06	100	3/8	-	0.48																																															
60N08	50	1/2	-	1.32																																															
60N10	50	5/8	-	2.47																																															
60N12	50	3/4	-	3.40																																															
60N16	1	1"	-	4.19																																															
<p>60</p> 	<p style="text-align: center;">Sleeve</p> <p style="text-align: center;">Ideal For Copper</p> <table border="1"> <thead> <tr> <th>Part Number</th> <th>Standard Pack</th> <th>Tube</th> <th>Pipe Thread</th> <th>Price Per Piece</th> </tr> </thead> <tbody> <tr><td>6002</td><td>100</td><td>1/8</td><td>-</td><td>0.32</td></tr> <tr><td>6003</td><td>100</td><td>3/16</td><td>-</td><td>0.33</td></tr> <tr><td>6004</td><td>100</td><td>1/4</td><td>-</td><td>0.36</td></tr> <tr><td>6005</td><td>100</td><td>5/16</td><td>-</td><td>0.48</td></tr> <tr><td>6006</td><td>100</td><td>3/8</td><td>-</td><td>0.53</td></tr> <tr><td>6008</td><td>50</td><td>1/2</td><td>-</td><td>1.36</td></tr> <tr><td>6010</td><td>50</td><td>5/8</td><td>-</td><td>2.62</td></tr> <tr><td>6012</td><td>50</td><td>3/4</td><td>-</td><td>3.48</td></tr> </tbody> </table>	Part Number	Standard Pack	Tube	Pipe Thread	Price Per Piece	6002	100	1/8	-	0.32	6003	100	3/16	-	0.33	6004	100	1/4	-	0.36	6005	100	5/16	-	0.48	6006	100	3/8	-	0.53	6008	50	1/2	-	1.36	6010	50	5/8	-	2.62	6012	50	3/4	-	3.48					
Part Number	Standard Pack	Tube	Pipe Thread	Price Per Piece																																															
6002	100	1/8	-	0.32																																															
6003	100	3/16	-	0.33																																															
6004	100	1/4	-	0.36																																															
6005	100	5/16	-	0.48																																															
6006	100	3/8	-	0.53																																															
6008	50	1/2	-	1.36																																															
6010	50	5/8	-	2.62																																															
6012	50	3/4	-	3.48																																															
<p>61</p> 	<p style="text-align: center;">Compression Nut</p> <table border="1"> <thead> <tr> <th>Part Number</th> <th>Standard Pack</th> <th>Tube</th> <th>Pipe Thread</th> <th>Price Per Piece</th> </tr> </thead> <tbody> <tr><td>6102</td><td>50</td><td>1/8</td><td>-</td><td>1.11</td></tr> <tr><td>6103</td><td>50</td><td>3/16</td><td>-</td><td>0.96</td></tr> <tr><td>6104</td><td>50</td><td>1/4</td><td>-</td><td>1.04</td></tr> <tr><td>6105</td><td>50</td><td>5/16</td><td>-</td><td>1.36</td></tr> <tr><td>6106</td><td>50</td><td>3/8</td><td>-</td><td>1.69</td></tr> <tr><td>6108</td><td>25</td><td>1/2</td><td>-</td><td>3.11</td></tr> <tr><td>6110</td><td>15</td><td>5/8</td><td>-</td><td>5.77</td></tr> <tr><td>6112</td><td>15</td><td>3/4</td><td>-</td><td>7.83</td></tr> <tr><td>6116</td><td>1</td><td>1"</td><td>-</td><td>24.25</td></tr> </tbody> </table>	Part Number	Standard Pack	Tube	Pipe Thread	Price Per Piece	6102	50	1/8	-	1.11	6103	50	3/16	-	0.96	6104	50	1/4	-	1.04	6105	50	5/16	-	1.36	6106	50	3/8	-	1.69	6108	25	1/2	-	3.11	6110	15	5/8	-	5.77	6112	15	3/4	-	7.83	6116	1	1"	-	24.25
Part Number	Standard Pack	Tube	Pipe Thread	Price Per Piece																																															
6102	50	1/8	-	1.11																																															
6103	50	3/16	-	0.96																																															
6104	50	1/4	-	1.04																																															
6105	50	5/16	-	1.36																																															
6106	50	3/8	-	1.69																																															
6108	25	1/2	-	3.11																																															
6110	15	5/8	-	5.77																																															
6112	15	3/4	-	7.83																																															
6116	1	1"	-	24.25																																															

Compression Fittings

Hose Insert Provides Support For Plastic Tubes					261
Part Number	Standard Pack	Tube OD	Tube ID	Price Per Piece	
26103	50	3/16	3.10mm	0.93	
26104	50	1/4	3.86mm	0.92	
26105	50	5/16	5.03mm	1.33	
26106	20	3/8	5.84mm	1.93	
26108	20	1/2	9.14mm	2.29	
26110	10	5/8	12.20mm	2.66	
Double Union Supplied Complete With 60N Sleeves and 61 Nuts					62
Part Number	Standard Pack	Tube	Pipe Thread	Price Per Piece	
6202	25	1/8	-	4.83	
6203	25	3/16	-	4.94	
6204	25	1/4	-	5.29	
6205	25	5/16	-	6.19	
6206	25	3/8	-	7.67	
6208	10	1/2	-	14.32	
6210	10	5/8	-	33.76	
6212	5		-	46.97	
Reducing Union Supplied Complete With 60N Sleeves and 61 Nuts					62R
Part Number	Standard Pack	Tube	Tube	Price Per Piece	
62R0403	20	1/4	3/16	12.37	
62R0504	20	5/16	1/4	8.00	
62R0604	20	3/8	1/4	11.03	
62R0605	20	3/8	5/16	14.84	
62R0804	-	1/2	1/4	19.51	
62R0806	5	1/2	1/2	21.19	
62R1006	-	5/8	3/8	25.76	

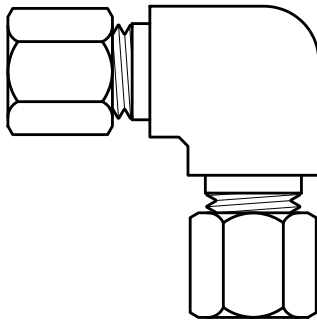
Compression Fittings

64


Union Tee

Supplied Complete With 60N Sleeves and 61 Nuts.

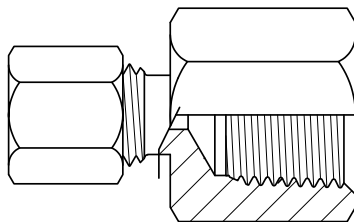
Part Number	Standard Pack	Tube	Pipe Thread	Price Per Piece
6402	20	1/8	-	15.77
6403	10	3/16	-	13.31
6404	10	1/4	-	14.57
6405	10	5/16	-	18.07
6406	10	3/8	-	19.64
6408	10	1/2	-	44.36
6410	* 5	5/8	-	78.02
6412	* -	3/4	-	86.11

65


Union Elbow

Supplied Complete With 60N Sleeves and 61 Nuts.

Part Number	Standard Pack	Tube	Pipe Thread	Price Per Piece
6502	20	1/8	-	15.60
6503	20	3/16	-	12.48
6504	20	1/4	-	14.02
6505	20	5/16	-	15.60
6506	10	3/8	-	17.30
6508	10	1/2	-	32.47
6510	-	5/8	-	52.88

66


Female Connector

Supplied Complete With 60N Sleeves and 61 Nuts.

Part Number	Standard Pack	Tube	Pipe Thread	Price Per Piece
660202	20	1/8	1/8 BSPP	4.73
660302	20	3/16	1/8 BSPP	3.48
660402	20	1/4	1/8 BSPP	4.33
660404	20	1/4	1/4 BSPP	6.15
660406	20	1/4	3/8 BSPP	11.23
660408	10	1/4	1/2 BSPP	12.84
660502	20	5/16	1/8 BSPP	6.21
660504	20	5/16	1/4 BSPP	7.04
660506	20	5/16	3/8 BSPP	11.17

Continued on next page...

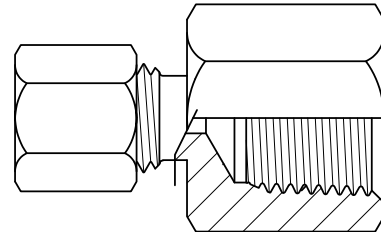
Compression Fittings

...Continued from previous page.

Female Connector

66

Part Number	Standard Pack	Tube	Pipe Thread	Price Per Piece
660602	20	3/8	1/8 BSPP	6.61
660604	20	3/8	1/4 BSPP	7.71
660606	20	3/8	3/8 BSPP	8.31
660608	20	3/8	1/2 BSPP	12.84
660806	10	1/2	3/8 BSPP	11.17
660808	10	1/2	1/2 BSPP	23.61
661208	* -	3/4	1/2 BSPP	35.84
661212	* -	3/4	3/4 BSPP	46.98

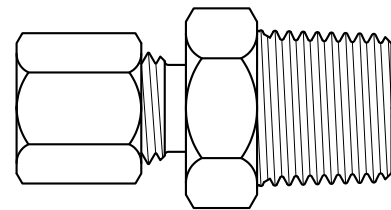


Male Connector

Supplied Complete With 60N Sleeves and 61 Nuts

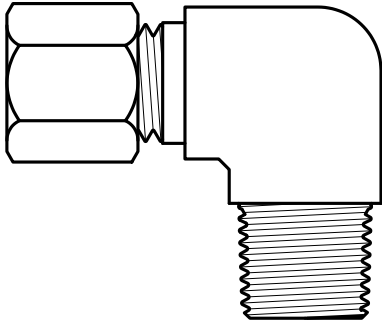
68

Part Number	Standard Pack	Tube	Pipe Thread	Price Per Piece
680202	20	1/8	1/8 BSPT	4.05
680204	20	1/8	1/4 BSPT	4.94
680302	20	3/16	1/8 BSPT	4.02
680304	20	3/16	1/4 BSPT	4.87
680402	25	1/4	1/8 BSPT	2.89
680404	25	1/4	1/4 BSPT	4.87
680406	20	1/4	3/8 BSPT	8.15
680408	10	1/4	1/2 BSPT	12.51
680412	10	1/4	3/4 BSPT	21.23
680502	25	5/16	1/8 BSPT	4.99
680504	25	5/16	1/4 BSPT	4.80
680506	20	5/16	3/8 BSPT	8.50
680508	10	5/16	1/2 BSPT	12.51
680602	20	3/8	1/8 BSPT	4.99
680604	25	3/8	1/4 BSPT	5.34
680606	10	3/8	3/8 BSPT	9.14
680608	20	3/8	1/2 BSPT	11.23
680804	10	1/2	1/4 BSPT	9.83
680806	20	1/2	3/8 BSPT	9.31
680808	10	1/2	1/2 BSPT	12.51
680812	10	1/2	3/4 BSPT	42.10
681006	10	5/8	3/8 BSPT	26.80
681008	10	5/8	1/2 BSPT	23.13
681012	10	5/8	3/4 BSPT	43.10
681204	-	3/4	1/4 BSPT	36.40
681208	5	3/4	1/2 BSPT	36.40
681212	5	3/4	3/4 BSPT	37.12



Compression Fittings

69

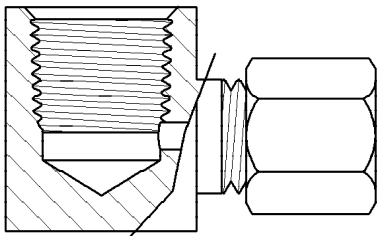


Male Elbow

Supplied Complete With 60N Sleeves and 61 Nuts.

Part Number	Standard Pack	Tube	Pipe Thread	Price Per Piece
690202	20	1/8	1/8 BSPT	9.37
690302	20	3/16	1/8 BSPT	8.74
690402	20	1/4	1/8 BSPT	7.75
690404	20	1/4	1/4 BSPT	10.12
690406	20	1/4	3/8 BSPT	18.45
690502	20	5/16	1/8 BSPT	9.59
690504	20	5/16	1/4 BSPT	10.62
690602	20	3/8	1/8 BSPT	12.51
690604	20	3/8	1/4 BSPT	11.84
690606	10	3/8	3/8 BSPT	17.74
690608	10	3/8	1/2 BSPT	30.57
690804	10	1/2	1/4 BSPT	20.56
690806	10	1/2	3/8 BSPT	20.36
690808	10	1/2	1/2 BSPT	27.05
691006	5	5/8	3/8 BSPT	33.30
691008	5	5/8	1/2 BSPT	43.78
691208	5	3/4	1/2 BSPT	46.31

70

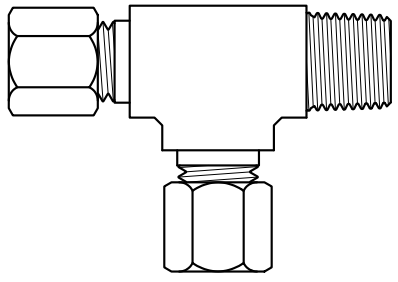
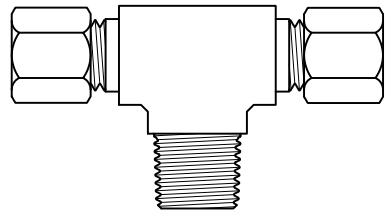
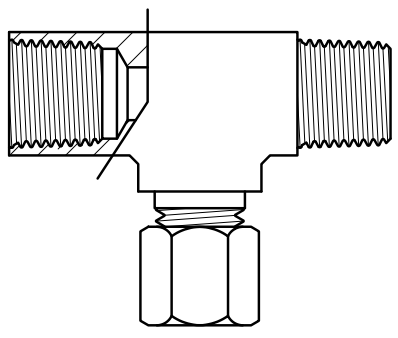


Female Elbow

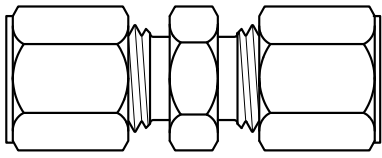
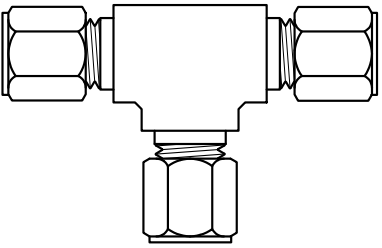
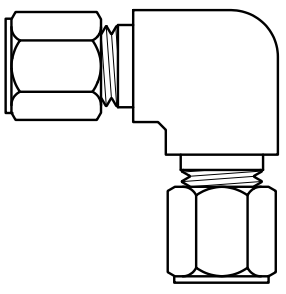
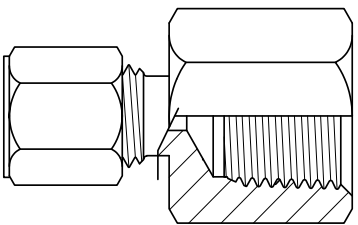
Supplied Complete With 60N Sleeves and 61 Nuts.

Part Number	Standard Pack	Tube	Pipe Thread	Price Per Piece	
700202	*	20	1/8	1/8 BSPP	16.09
700302		20	3/16	1/8 BSPP	10.92
700402		20	1/4	1/8 BSPP	11.30
700604		10	3/8	1/4 BSPP	17.30
700806	*	10	1/2	3/8 BSPP	32.29

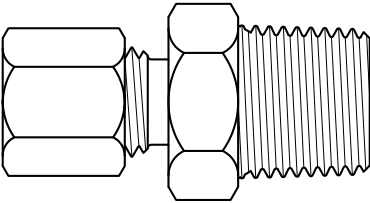
Compression Fittings

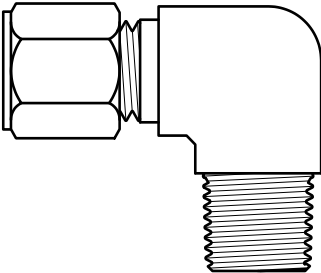
Union Male Run Tee Supplied Complete With 60N Sleeves and 61 Nuts.					71	
Part Number	Standard Pack	Tube	Pipe Thread	Price Per Piece		
710202	*	10	1/8	1/8 BSPT		19.51
710302	*	10	3/16	1/8 BSPT		19.51
710402		10	1/4	1/8 BSPT		14.20
710404		10	1/4	1/4 BSPT		19.60
710502		10	5/16	1/8 BSPT		19.11
710504		10	5/16	1/4 BSPT		29.59
710604		10	3/8	1/4 BSPT		27.01
710806		5	1/2	3/8 BSPT		37.80
Union Male Branch Tee Supplied Complete With 60N Sleeves and 61 Nuts					72	
Part Number	Standard Pack	Tube	Pipe Thread	Price Per Piece		
720202	*	20	1/8	1/8 BSPT		20.88
720302	*	20	3/16	1/8 BSPT		14.02
720402		10	1/4	1/8 BSPT		13.48
720404		10	1/4	1/4 BSPT		18.12
720502		10	5/16	1/8 BSPT		19.27
720504		10	5/16	1/4 BSPT		19.41
720604		10	3/8	1/4 BSPT		19.41
720606		1	3/8	3/8 BSPT		29.02
720804		1	1/2	1/4 BSPT		33.77
720806		1	1/2	3/8 BSPT	39.85	
Male/Female Run Tee Supplied Complete With 60N Sleeves and 61 Nuts					76	
Part Number	Standard Pack	Tube	Pipe Thread	Price Per Piece		
760202		10	1/8	1/8 BSPT		24.05
760302		10	3/16	1/8 BSPT		21.29
760402		10	1/4	1/8 BSPT		27.56
760502		10	5/16	1/8 BSPT		25.18
760604		10	3/8	1/4 BSPT	39.74	

Metric Compression Fittings

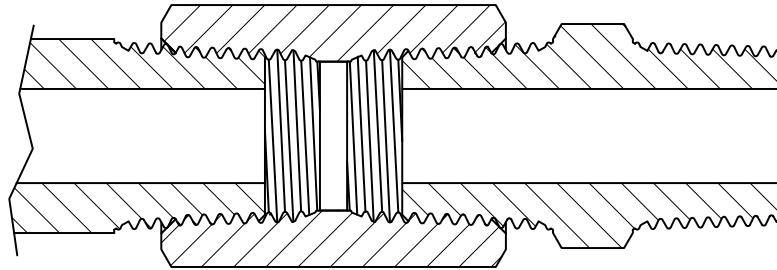
Metric Double Union Supplied Complete With M60N Sleeves and M61 Nuts					M62 
Part Number	Standard Pack	Tube	Pipe Thread	Price Per Piece	
M6204	10	4 mm	-	6.19	
M6206	10	6 mm	-	5.88	
M6208	10	8 mm	-	6.53	
M6210	10	10 mm	-	8.56	
M6212	5	12 mm	-	15.87	
M6216	5	16 mm	-	47.32	
Metric Union Tee Supplied Complete With M60N Sleeves and M61 Nuts					M64 
Part Number	Standard Pack	Tube	Pipe Thread	Price Per Piece	
M6404	1	4 mm	-	17.80	
M6406	1	6 mm	-	17.80	
M6408	1	8 mm	-	21.11	
M6410	1	10 mm	-	23.73	
M6412	1	12 mm	-	47.36	
M6416	1	16 mm	-	93.74	
Metric Union Elbow Supplied Complete With M60N Sleeves and M61 Nuts					M65 
Part Number	Standard Pack	Tube	Pipe Thread	Price Per Piece	
M6504	1	4 mm	-	13.58	
M6506	1	6 mm	-	15.23	
M6508	1	8 mm	-	17.17	
M6510	1	10 mm	-	19.07	
M6512	1	12 mm	-	35.72	
M6516	1	16 mm	-	87.98	
Metric Female Connector Supplied Complete With M60N Sleeves and M61 Nuts					M66 
Part Number	Standard Pack	Tube	Pipe Thread	Price Per Piece	
M660604	1	6 mm	1/4 BSPP	6.13	
M660804	1	8 mm	1/4 BSPP	7.08	
M661004	1	10 mm	1/4 BSPP	7.70	
M661006	1	10 mm	3/8 BSPP	9.19	
M661208	1	12 mm	1/2 BSPP	12.25	

Metric Compression Fittings

M68	Metric Male Connector				
Supplied Complete With M60N Sleeves and M61 Nuts.					
	Part Number	Standard Pack	Tube	Pipe Thread	Price Per Piece
	M680402	10	4 mm	1/8 BSPT	3.59
	M680404	10	4 mm	1/4 BSPT	4.16
	M680602	10	6 mm	1/8 BSPT	3.59
	M680604	10	6 mm	1/4 BSPT	4.16
	M680606	10	6 mm	3/8 BSPT	10.16
	M680802	10	8 mm	1/8 BSPT	5.31
	M680804	10	8 mm	1/4 BSPT	5.45
	M680806	10	8 mm	3/8 BSPT	10.16
	M680808	10	8 mm	1/2 BSPT	12.65
	M681002	10	10 mm	1/8 BSPT	5.60
	M681004	10	10 mm	1/4 BSPT	8.81
	M681006	10	10 mm	3/8 BSPT	10.04
	M681008	10	10 mm	1/2 BSPT	13.92
	M681204	10	12 mm	1/4 BSPT	7.91
	M681206	10	12 mm	3/8 BSPT	10.37
	M681208	10	12 mm	1/2 BSPT	14.57
	M681606	5	16 mm	3/9 BSPT	27.05
	M681608	5	16 mm	1/2 BSPT	25.31

M69	Metric Male Elbow				
Supplied Complete With M60N Sleeves and M61 Nuts.					
	Part Number	Standard Pack	Tube	Pipe Thread	Price Per Piece
	M690402	10	4 mm	1/8 BSPT	8.72
	M690404	10	4 mm	1/4 BSPT	10.19
	M690602	10	6 mm	1/8 BSPT	7.74
	M690604	10	6 mm	1/4 BSPT	10.12
	M690606	10	6 mm	3/8 BSPT	11.48
	M690802	10	8 mm	1/8 BSPT	12.78
	M690804	10	8 mm	1/4 BSPT	10.62
	M690806	10	8 mm	3/8 BSPT	11.06
	M691002	10	10 mm	1/8 BSPT	14.31
	M691004	10	10 mm	1/4 BSPT	11.91
	M691006	10	10 mm	3/8 BSPT	20.56
	M691204	5	12 mm	1/4 BSPT	20.36
	M691206	5	12 mm	3/8 BSPT	20.41
M691208	5	12 mm	1/2 BSPT	30.81	

Pipe Fittings



Standard TITON Pipe Fittings are manufactured with female RC, RP Series and male R Series threads in accordance with AS1772. These robust fittings are available in a comprehensive range of sizes ranging from 1/8" to 1". They are manufactured from high quality DZR brass alloy. Some fittings are available with NPT threads. Please contact Titon for stock availability.

ADVANTAGES

Very easy to assemble. No special tools or extra parts are necessary. May be assembled/disassembled numerous times.

APPLICATIONS

May be used with copper, steel, or brass pipe. Install where medium to high pressures are encountered. Pipe Fittings provide good resistance to vibration. Ideal for use in pneumatic and hydraulic control equipment.

WORKING PRESSURES

TITON Pipe Fittings are able to withstand high pressures, use the table below as a guideline.

SPECIAL SIZES

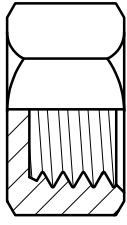
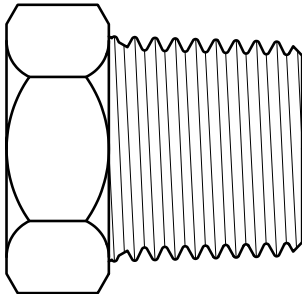
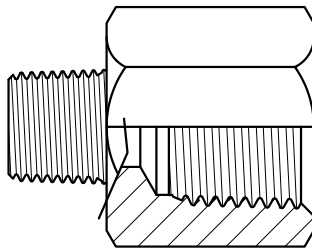
Other threads/sizes not specified are available upon request.

ASSEMBLY

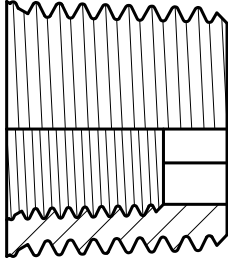
- I. Use pipe sealing compound.
- II. Tighten 1½ to 2½ turns past hand tight.

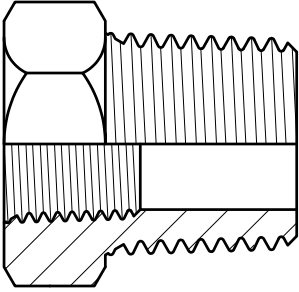
Thread Size	Hydraulic kPa [PSI]	Pneumatic kPa [PSI]
1/8	13750 [2000]	3500 [500]
1/4	13750 [2000]	3500 [500]
3/8	13750 [2000]	2750 [400]
1/2	10400 [1500]	2750 [400]
3/4	7000 [1020]	2000 [290]
1"	4000 [580]	1250 [180]

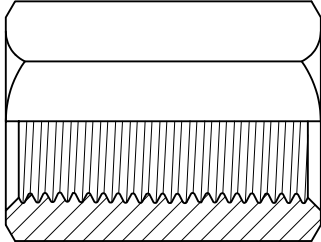
Pipe Fittings

3133 	Cap				
	Part Number	Standard Pack	Tube	Pipe Thread	Price Per Piece
	313302	10	-	1/8 BSPP	6.86
	313304	10	-	1/4 BSPP	7.70
	313306	10	-	3/8 BSPP	8.85
313308	10	-	1/2 BSPP	12.02	
3152 	Hex Plug				
	Available In Hollow and Solid Configurations.				
	Part Number	Standard Pack	Tube	Pipe Thread	Price Per Piece
	315204	50	-	1/4 BSPT	1.73
	315206	50	-	3/8 BSPT	2.57
	315208	20	-	1/2 BSPT	4.75
	315212	10	-	3/4 BSPT	8.89
	315216	10	-	1" BSPT	17.72
	Parts Listed Above Are Hollow, Parts Listed Below Are Solid				
	315202S	10	-	1/8 BSPT	1.14
	315204S *	10	-	1/4 BSPT	1.73
	315206S *	10	-	3/8 BSPT	2.57
	315208S *	10	-	1/2 BSPT	4.75
	315212S *	10	-	3/4 BSPT	8.89
	315216S *	10	-	1" BSPT	17.72
3200 	Male To Female Adaptor				
	Part Number	Standard Pack	Pipe Thread (Female)	Pipe Thread (Male)	Price Per Piece
	32000202	25	1/8 BSPP	1/8 BSPT	2.47
	32000402	25	1/4 BSPP	1/8 BSPT	3.55
	32000404	20	1/4 BSPP	1/4 BSPT	3.91
	32000602	20	3/8 BSPP	1/8 BSPT	6.41
	32000604	10	3/8 BSPP	1/4 BSPT	6.41
	32000606	10	3/8 BSPP	3/8 BSPT	9.29
	32000804	10	1/2 BSPP	1/4 BSPT	9.41
	32000806	10	1/2 BSPP	3/8 BSPT	8.53
	32000808	10	1/2 BSPP	1/2 BSPT	8.37
	32001204	5	3/4 BSPP	1/4 BSPT	13.69
	32001206	5	3/4 BSPP	3/8 BSPT	11.08
	32001208	5	3/4 BSPP	1/2 BSPT	13.69
32001608	1	1" BSPT	1/2 BSPT	27.69	

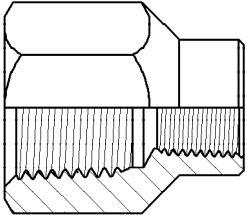
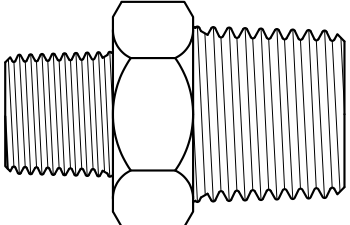
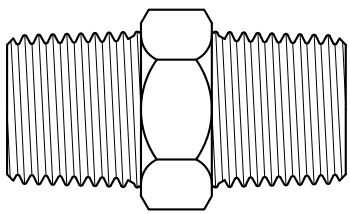
Pipe Fittings

Flush Mount Reducing Bush					3223
Internal Hex Drive					
Part Number	Standard Pack	Pipe Thread (Female)	Pipe Thread (Male)	Price Per Piece	
32230402	20	1/8 BSPP	1/4 BSPT	2.24	
32230604	15	1/4 BSPP	3/8 BSPT	3.32	
32230806	10	3/8 BSPP	1/2 BSPT	4.86	

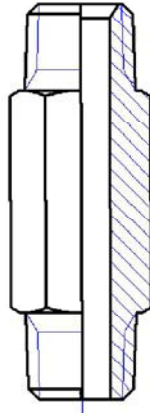
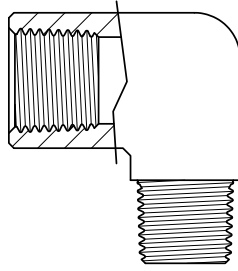
Reducing Bush					3224
Part Number	Standard Pack	Pipe Thread (Female)	Pipe Thread (Male)	Price Per Piece	
32240402	50	1/8 BSPP	1/4 BSPT	1.91	
32240602	50	1/8 BSPP	3/8 BSPT	3.55	
32240604	50	1/4 BSPP	3/8 BSPT	3.14	
32240802	20	1/8 BSPP	1/2 BSPT	5.29	
32240804	20	1/4 BSPP	1/2 BSPT	4.88	
32240806	20	3/8 BSPP	1/2 BSPT	4.88	
32241202	20	1/8 BSPP	3/4 BSPT	10.01	
32241204	20	1/4 BSPP	3/4 BSPT	10.30	
32241206	20	3/8 BSPP	3/4 BSPT	8.85	
32241208	20	1/2 BSPP	3/4 BSPT	8.85	
32241606	1	3/8 BSPP	1" BSPT	14.39	
32241608	1	1/2 BSPP	1" BSPT	14.39	
32241612	1	3/4 BSPP	1" BSPT	14.39	

Hex Socket					3300
Part Number	Standard Pack	Tube	Pipe Thread	Price Per Piece	
330002	50	-	1/8 BSPP	1.98	
330004	25	-	1/4 BSPP	3.47	
330006	20	-	3/8 BSPP	5.42	
330008	10	-	1/2 BSPP	9.33	
330012	5	-	3/4 BSPP	18.57	
330016	5	-	1" BSPP	33.11	

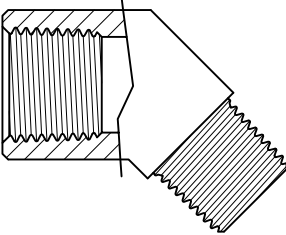
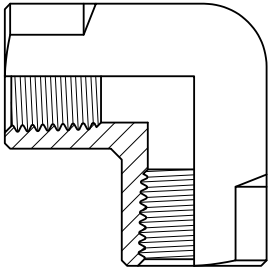
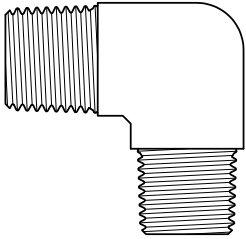
Pipe Fittings

3304	Reducing Socket				
	Part Number	Standard Pack	Pipe Thread	Pipe Thread	Price Per Piece
	33040402	20	1/4 BSPP	1/8 BSPP	3.96
	33040602	20	3/8 BSPP	1/8 BSPP	6.89
	33040604	20	3/8 BSPP	1/4 BSPP	6.46
	33040802	10	1/2 BSPP	1/8 BSPP	13.63
	33040804	10	1/2 BSPP	1/4 BSPP	9.60
	33040806	10	1/2 BSPP	3/8 BSPP	9.60
	33041206	10	3/4 BSPP	3/8 BSPP	24.55
	33041208	10	3/4 BSPP	1/2 BSPP	20.96
	33041612	1	1" BSPP	3/4 BSPP	38.64
	3324	Reducing Nipple			
Part Number		Standard Pack	Pipe Thread	Pipe Thread	Price Per Piece
	33240402	25	1/4 BSPT	1/8 BSPT	3.33
	33240602	25	3/8 BSPT	1/8 BSPT	5.69
	33240604	25	3/8 BSPT	1/4 BSPT	5.02
	33240802	25	1/2 BSPT	1/8 BSPT	7.24
	33240804	25	1/2 BSPT	1/4 BSPT	7.24
	33240806	25	1/2 BSPT	3/8 BSPT	7.24
	33241204	10	3/4 BSPT	1/4 BSPT	16.71
	33241206	10	3/4 BSPT	3/8 BSPT	14.24
	33241208	10	3/4 BSPT	1/2 BSPT	14.24
	33241608	1	1" BSPT	1/2 BSPT	36.53
	33241612	1	1" BSPT	3/4 BSPT	34.80
	3325	Hex Nipple			
Part Number		Standard Pack	Tube	Pipe Thread	Price Per Piece
	332502	25	-	1/8 BSPT	2.00
	332504	25	-	1/4 BSPT	3.05
	332506	25	-	3/8 BSPT	4.47
	332508	10	-	1/2 BSPT	7.35
	332512	5	-	3/4 BSPT	13.14
	332516	1	-	1" BSPT	18.27

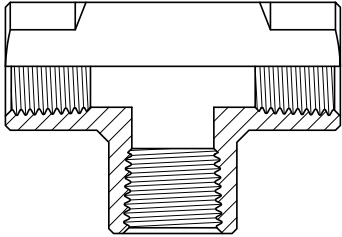
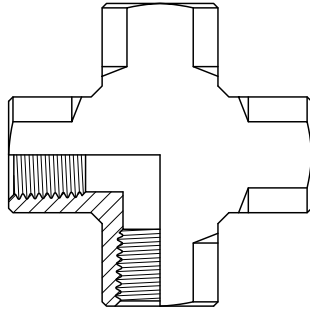
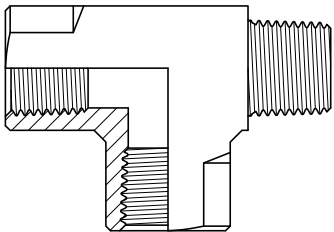
Pipe Fittings

Long Hex Barrel Nipple					3327
					
Part Number	Standard Pack	Pipe Thread	Length (Inches)	Price Per Piece	
3327021.5	25	1/8 BSPT	1.5	3.91	
3327022	25	1/8 BSPT	2	5.05	
3327022.5	25	1/8 BSPT	2.5	4.79	
3327023	25	1/8 BSPT	3	6.34	
3327041.5	25	1/4 BSPT	1.5	5.69	
3327042	25	1/4 BSPT	2	5.93	
3327042.5	25	1/4 BSPT	2.5	7.83	
3327043	25	1/4 BSPT	3	8.52	
3327061.5	25	3/8 BSPT	1.5	6.89	
3327062	25	3/8 BSPT	2	6.83	
3327062.5	25	3/8 BSPT	2.5	8.92	
3327063	20	3/8 BSPT	3	10.92	
3327082	15	1/2 BSPT	2	11.84	
3327082.5	10	1/2 BSPT	2.5	13.42	
3327083	10	1/2 BSPT	3	14.62	
Male To Female 90° Elbow					3400
Part Number	Standard Pack	Pipe Thread (Female)	Pipe Thread (Male)	Price Per Piece	
340002	25	1/8 BSPP	1/8 BSPT	5.57	
340004	20	1/4 BSPP	1/4 BSPT	8.20	
340006	10	3/8 BSPP	3/8 BSPT	16.91	
340008	10	1/2 BSPP	1/2 BSPT	30.93	
See Next Page For 45° Elbows					

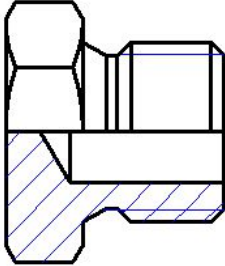
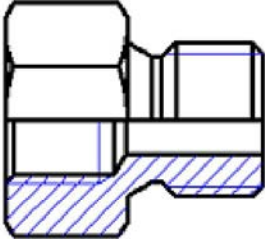
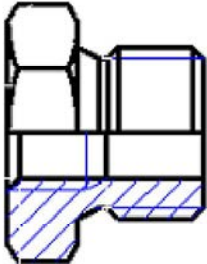
Pipe Fittings

<p>340045</p> 	<p style="text-align: center;">Male To Female 45° Elbow</p> <table border="1"> <thead> <tr> <th>Part Number</th> <th>Standard Pack</th> <th>Pipe Thread (Female)</th> <th>Pipe Thread (Male)</th> <th>Price Per Piece</th> </tr> </thead> <tbody> <tr> <td>34004502</td> <td>5</td> <td>1/8 BSPP</td> <td>1/8 BSPT</td> <td>9.29</td> </tr> <tr> <td>34004504</td> <td>5</td> <td>1/4 BSPP</td> <td>1/4 BSPT</td> <td>13.63</td> </tr> <tr> <td>34004506</td> <td>5</td> <td>3/8 BSPP</td> <td>3/8 BSPT</td> <td>22.96</td> </tr> <tr> <td>34004508</td> <td>5</td> <td>1/2 BSPP</td> <td>1/2 BSPT</td> <td>34.47</td> </tr> </tbody> </table> <p style="text-align: right;">See Previous Page For 90° Elbows.</p>	Part Number	Standard Pack	Pipe Thread (Female)	Pipe Thread (Male)	Price Per Piece	34004502	5	1/8 BSPP	1/8 BSPT	9.29	34004504	5	1/4 BSPP	1/4 BSPT	13.63	34004506	5	3/8 BSPP	3/8 BSPT	22.96	34004508	5	1/2 BSPP	1/2 BSPT	34.47																				
Part Number	Standard Pack	Pipe Thread (Female)	Pipe Thread (Male)	Price Per Piece																																										
34004502	5	1/8 BSPP	1/8 BSPT	9.29																																										
34004504	5	1/4 BSPP	1/4 BSPT	13.63																																										
34004506	5	3/8 BSPP	3/8 BSPT	22.96																																										
34004508	5	1/2 BSPP	1/2 BSPT	34.47																																										
<p>3500</p> 	<p style="text-align: center;">Female 90° Elbow</p> <table border="1"> <thead> <tr> <th>Part Number</th> <th>Standard Pack</th> <th>Tube</th> <th>Pipe Thread</th> <th>Price Per Piece</th> </tr> </thead> <tbody> <tr> <td>350002</td> <td>10</td> <td>-</td> <td>1/8 BSPP</td> <td>10.01</td> </tr> <tr> <td>350004</td> <td>10</td> <td>-</td> <td>1/4 BSPP</td> <td>11.80</td> </tr> <tr> <td>350006</td> <td>10</td> <td>-</td> <td>3/8 BSPP</td> <td>19.97</td> </tr> <tr> <td>350008</td> <td>10</td> <td>-</td> <td>1/2 BSPP</td> <td>22.28</td> </tr> </tbody> </table> <p style="text-align: center;">Female 45° Elbow</p> <table border="1"> <thead> <tr> <th>Part Number</th> <th>Standard Pack</th> <th>Tube</th> <th>Pipe Thread</th> <th>Price Per Piece</th> </tr> </thead> <tbody> <tr> <td>35004502</td> <td>10</td> <td>-</td> <td>1/8 BSPP</td> <td>10.02</td> </tr> <tr> <td>35004504</td> <td>10</td> <td>-</td> <td>1/4 BSPP</td> <td>13.63</td> </tr> <tr> <td>35004506</td> <td>10</td> <td>-</td> <td>3/8 BSPP</td> <td>22.96</td> </tr> </tbody> </table>	Part Number	Standard Pack	Tube	Pipe Thread	Price Per Piece	350002	10	-	1/8 BSPP	10.01	350004	10	-	1/4 BSPP	11.80	350006	10	-	3/8 BSPP	19.97	350008	10	-	1/2 BSPP	22.28	Part Number	Standard Pack	Tube	Pipe Thread	Price Per Piece	35004502	10	-	1/8 BSPP	10.02	35004504	10	-	1/4 BSPP	13.63	35004506	10	-	3/8 BSPP	22.96
Part Number	Standard Pack	Tube	Pipe Thread	Price Per Piece																																										
350002	10	-	1/8 BSPP	10.01																																										
350004	10	-	1/4 BSPP	11.80																																										
350006	10	-	3/8 BSPP	19.97																																										
350008	10	-	1/2 BSPP	22.28																																										
Part Number	Standard Pack	Tube	Pipe Thread	Price Per Piece																																										
35004502	10	-	1/8 BSPP	10.02																																										
35004504	10	-	1/4 BSPP	13.63																																										
35004506	10	-	3/8 BSPP	22.96																																										
<p>3600</p> 	<p style="text-align: center;">Male 90° Elbow</p> <table border="1"> <thead> <tr> <th>Part Number</th> <th>Standard Pack</th> <th>Pipe Thread (Male)</th> <th>Pipe Thread (Male)</th> <th>Price Per Piece</th> </tr> </thead> <tbody> <tr> <td>36000202</td> <td>10</td> <td>1/8 BSPT</td> <td>1/8 BSPT</td> <td>13.17</td> </tr> <tr> <td>36000402</td> <td>10</td> <td>1/4 BSPT</td> <td>1/8 BSPT</td> <td>16.79</td> </tr> <tr> <td>36000404</td> <td>10</td> <td>1/4 BSPT</td> <td>1/4 BSPT</td> <td>15.68</td> </tr> <tr> <td>36000604</td> <td>10</td> <td>3/8 BSPT</td> <td>1/4 BSPT</td> <td>26.98</td> </tr> <tr> <td>36000606</td> <td>10</td> <td>3/8 BSPT</td> <td>3/8 BSPT</td> <td>23.30</td> </tr> <tr> <td>36000806</td> <td>10</td> <td>1/2 BSPT</td> <td>3/8 BSPT</td> <td>34.84</td> </tr> <tr> <td>36000808</td> <td>10</td> <td>1/2 BSPT</td> <td>1/2 BSPT</td> <td>34.83</td> </tr> </tbody> </table>	Part Number	Standard Pack	Pipe Thread (Male)	Pipe Thread (Male)	Price Per Piece	36000202	10	1/8 BSPT	1/8 BSPT	13.17	36000402	10	1/4 BSPT	1/8 BSPT	16.79	36000404	10	1/4 BSPT	1/4 BSPT	15.68	36000604	10	3/8 BSPT	1/4 BSPT	26.98	36000606	10	3/8 BSPT	3/8 BSPT	23.30	36000806	10	1/2 BSPT	3/8 BSPT	34.84	36000808	10	1/2 BSPT	1/2 BSPT	34.83					
Part Number	Standard Pack	Pipe Thread (Male)	Pipe Thread (Male)	Price Per Piece																																										
36000202	10	1/8 BSPT	1/8 BSPT	13.17																																										
36000402	10	1/4 BSPT	1/8 BSPT	16.79																																										
36000404	10	1/4 BSPT	1/4 BSPT	15.68																																										
36000604	10	3/8 BSPT	1/4 BSPT	26.98																																										
36000606	10	3/8 BSPT	3/8 BSPT	23.30																																										
36000806	10	1/2 BSPT	3/8 BSPT	34.84																																										
36000808	10	1/2 BSPT	1/2 BSPT	34.83																																										

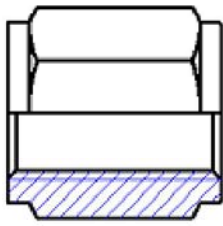
Pipe Fittings

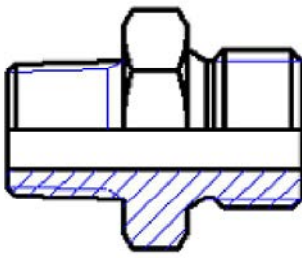
Female Tee					3700
Part Number	Standard Pack	Tube	Pipe Thread (Female)	Price Per Piece	
370002	10	-	1/8 BSPP	8.70	
370004	10	-	1/4 BSPP	11.06	
370006	10	-	3/8 BSPP	23.55	
370008	10	-	1/2 BSPP	34.26	
Female Cross					3900
Part Number	Standard Pack	Tube	Pipe Thread (Female)	Price Per Piece	
390002	10	-	1/8 BSPP	34.13	
390004	10	-	1/4 BSPP	35.14	
390006	10	-	3/8 BSPP	46.32	
390008	10	-	1/2 BSPP	54.14	
Male Run/Female Tee					4000
Part Number	Standard Pack	Pipe Thread (Male)	Pipe Thread (Female)	Price Per Piece	
400002	10	1/8 BSPT	1/8 BSPT	12.84	
400004	10	1/4 BSPT	1/4 BSPT	16.49	
400006	10	3/8 BSPT	3/8 BSPT	28.63	
400008	-	1/2 BSPT	1/2 BSPT	34.27	

Metric Pipe Fittings

<h2>3152M</h2> 	<h3>Metric Hex Plug</h3> <table border="1"> <thead> <tr> <th>Part Number</th> <th>Standard Pack</th> <th>Tube</th> <th>Pipe Thread</th> <th>Price Per Piece</th> </tr> </thead> <tbody> <tr> <td>3152M12</td> <td></td> <td>-</td> <td>M12x1.5</td> <td>4.04</td> </tr> <tr> <td>3152M14</td> <td></td> <td>-</td> <td>M14x1.5</td> <td>4.34</td> </tr> <tr> <td>3152M16</td> <td></td> <td>-</td> <td>M16x1.5</td> <td>5.44</td> </tr> <tr> <td>3152M18</td> <td></td> <td>-</td> <td>M18x1.5</td> <td>6.61</td> </tr> <tr> <td>3152M20</td> <td></td> <td>-</td> <td>M20x1.5</td> <td>8.16</td> </tr> <tr> <td>3152M22</td> <td></td> <td>-</td> <td>M22x1.5</td> <td>9.04</td> </tr> <tr> <td>3152M24</td> <td></td> <td>-</td> <td>M24x2</td> <td>10.88</td> </tr> </tbody> </table>	Part Number	Standard Pack	Tube	Pipe Thread	Price Per Piece	3152M12		-	M12x1.5	4.04	3152M14		-	M14x1.5	4.34	3152M16		-	M16x1.5	5.44	3152M18		-	M18x1.5	6.61	3152M20		-	M20x1.5	8.16	3152M22		-	M22x1.5	9.04	3152M24		-	M24x2	10.88
Part Number	Standard Pack	Tube	Pipe Thread	Price Per Piece																																					
3152M12		-	M12x1.5	4.04																																					
3152M14		-	M14x1.5	4.34																																					
3152M16		-	M16x1.5	5.44																																					
3152M18		-	M18x1.5	6.61																																					
3152M20		-	M20x1.5	8.16																																					
3152M22		-	M22x1.5	9.04																																					
3152M24		-	M24x2	10.88																																					
<h2>3200M</h2> 	<h3>Male To Female Adaptor</h3> <table border="1"> <thead> <tr> <th>Part Number</th> <th>Standard Pack</th> <th>Pipe Thread (Female)</th> <th>Pipe Thread (Male)</th> <th>Price Per Piece</th> </tr> </thead> <tbody> <tr> <td>3200M1202</td> <td></td> <td>1/8"BSP</td> <td>M12x1.5</td> <td>4.19</td> </tr> <tr> <td>3200M1204</td> <td></td> <td>1/4"BSP</td> <td>M12x1.5</td> <td>5.14</td> </tr> <tr> <td>3200M1404</td> <td></td> <td>1/4"BSP</td> <td>M14x1.5</td> <td>5.44</td> </tr> <tr> <td>3200M1604</td> <td></td> <td>1/4"BSP</td> <td>M16x1.5</td> <td>5.66</td> </tr> </tbody> </table>	Part Number	Standard Pack	Pipe Thread (Female)	Pipe Thread (Male)	Price Per Piece	3200M1202		1/8"BSP	M12x1.5	4.19	3200M1204		1/4"BSP	M12x1.5	5.14	3200M1404		1/4"BSP	M14x1.5	5.44	3200M1604		1/4"BSP	M16x1.5	5.66															
Part Number	Standard Pack	Pipe Thread (Female)	Pipe Thread (Male)	Price Per Piece																																					
3200M1202		1/8"BSP	M12x1.5	4.19																																					
3200M1204		1/4"BSP	M12x1.5	5.14																																					
3200M1404		1/4"BSP	M14x1.5	5.44																																					
3200M1604		1/4"BSP	M16x1.5	5.66																																					
<h2>3224M</h2> 	<h3>Reducing Bush</h3> <table border="1"> <thead> <tr> <th>Part Number</th> <th>Standard Pack</th> <th>Pipe Thread (Female)</th> <th>Pipe Thread (Male)</th> <th>Price Per Piece</th> </tr> </thead> <tbody> <tr> <td>3224M1402</td> <td></td> <td>1/8"BSP</td> <td>M14x1.5</td> <td>4.04</td> </tr> <tr> <td>3224M1602</td> <td></td> <td>1/8"BSP</td> <td>M16x1.5</td> <td>5.73</td> </tr> <tr> <td>3224M1804</td> <td></td> <td>1/4"BSP</td> <td>M18x1.5</td> <td>8.45</td> </tr> <tr> <td>3224M2004</td> <td></td> <td>1/4"BSP</td> <td>M20x1.5</td> <td>9.33</td> </tr> <tr> <td>3224M2204</td> <td></td> <td>1/4"BSP</td> <td>M22x1.5</td> <td>10.07</td> </tr> <tr> <td>3224M2206</td> <td></td> <td>3/8"BSP</td> <td>M22x1.5</td> <td>10.07</td> </tr> <tr> <td>3224M2406</td> <td></td> <td>3/8"BSP</td> <td>M24x2</td> <td>12.42</td> </tr> </tbody> </table>	Part Number	Standard Pack	Pipe Thread (Female)	Pipe Thread (Male)	Price Per Piece	3224M1402		1/8"BSP	M14x1.5	4.04	3224M1602		1/8"BSP	M16x1.5	5.73	3224M1804		1/4"BSP	M18x1.5	8.45	3224M2004		1/4"BSP	M20x1.5	9.33	3224M2204		1/4"BSP	M22x1.5	10.07	3224M2206		3/8"BSP	M22x1.5	10.07	3224M2406		3/8"BSP	M24x2	12.42
Part Number	Standard Pack	Pipe Thread (Female)	Pipe Thread (Male)	Price Per Piece																																					
3224M1402		1/8"BSP	M14x1.5	4.04																																					
3224M1602		1/8"BSP	M16x1.5	5.73																																					
3224M1804		1/4"BSP	M18x1.5	8.45																																					
3224M2004		1/4"BSP	M20x1.5	9.33																																					
3224M2204		1/4"BSP	M22x1.5	10.07																																					
3224M2206		3/8"BSP	M22x1.5	10.07																																					
3224M2406		3/8"BSP	M24x2	12.42																																					

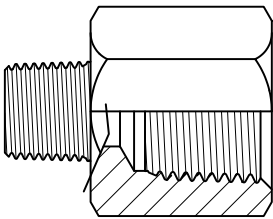
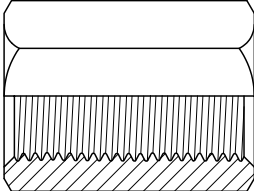
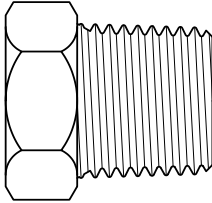
Metric Pipe Fittings

Hex Socket					<h2>3300M</h2> 
Part Number	Standard Pack	Tube	Pipe Thread	Price Per Piece	
3300M12	*	-	M12x1.5	5.39	
3300M14	*	-	M14x1.5	5.95	
3300M16	*	-	M16x1.5	7.86	
3300M18	*	-	M18x1.5	9.41	
3300M20	*	-	M20x1.5	11.76	
3300M22	*	-	M22x1.5	12.71	
3300M24	*	-	M24x2	14.84	

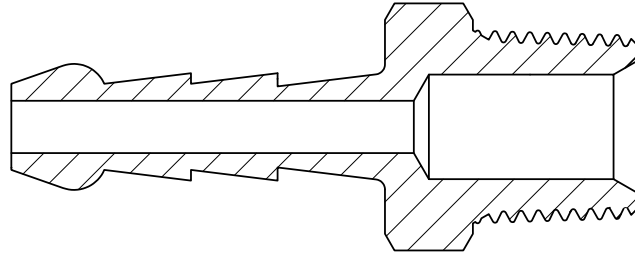
Reducing Nipple					<h2>3324M</h2> 
Part Number	Standard Pack	Pipe Thread	Pipe Thread	Price Per Piece	
3324M1202		1/8"BSPT	M12x1.5	4.70	
3324M1204		1/4" BSPT	M12x1.5	5.07	
3324M1404		1/4" BSPT	M14x1.5	5.51	
3324M1604		1/4" BSPT	M16x1.5	6.47	
3324M1804		1/4" BSPT	M18x1.5	8.89	
3324M2004		1/4" BSPT	M20x1.5	11.83	
3324M2006		3/8" BSPT	M20x1.5	11.83	
3324M2206		3/8" BSPT	M22x1.5	16.61	
3324M2406		3/8" BSPT	M24x2	22.12	

if requiring NPT Threads Put NPT at end of Part No
 (eg 3224xxxxNPT)

NPT Pipe Fittings

<h2>NPT3200BSP</h2> 	<h3>Male BSP to Female NPT adaptor</h3> <table border="1"> <thead> <tr> <th>Part Number</th> <th>Standard Pack</th> <th>Pipe Thread (Female)</th> <th>Pipe Thread (Male)</th> <th>Price Per Piece</th> </tr> </thead> <tbody> <tr> <td>NPT32000202B:</td> <td>1</td> <td>1/8 NPT</td> <td>1/8 BSPT</td> <td>4.29</td> </tr> <tr> <td>NPT32000404B:</td> <td>1</td> <td>1/4 NPT</td> <td>1/4 BSPT</td> <td>4.60</td> </tr> <tr> <td>NPT32000606B:</td> <td>1</td> <td>3/8 NPT</td> <td>3/8 BSPT</td> <td>10.40</td> </tr> <tr> <td>NPT32000808B:</td> <td>1</td> <td>1/2 NPT</td> <td>1/2 BSPT</td> <td>11.71</td> </tr> </tbody> </table>	Part Number	Standard Pack	Pipe Thread (Female)	Pipe Thread (Male)	Price Per Piece	NPT32000202B:	1	1/8 NPT	1/8 BSPT	4.29	NPT32000404B:	1	1/4 NPT	1/4 BSPT	4.60	NPT32000606B:	1	3/8 NPT	3/8 BSPT	10.40	NPT32000808B:	1	1/2 NPT	1/2 BSPT	11.71
Part Number	Standard Pack	Pipe Thread (Female)	Pipe Thread (Male)	Price Per Piece																						
NPT32000202B:	1	1/8 NPT	1/8 BSPT	4.29																						
NPT32000404B:	1	1/4 NPT	1/4 BSPT	4.60																						
NPT32000606B:	1	3/8 NPT	3/8 BSPT	10.40																						
NPT32000808B:	1	1/2 NPT	1/2 BSPT	11.71																						
<h2>3300NPT</h2> 	<h3>NPT Hex Socket</h3> <table border="1"> <thead> <tr> <th>Part Number</th> <th>Standard Pack</th> <th>NPT Thread</th> <th>Price Per Piece</th> </tr> </thead> <tbody> <tr> <td>330002NPT</td> <td>1</td> <td>1/8</td> <td>2.18</td> </tr> <tr> <td>330004NPT</td> <td>1</td> <td>1/4</td> <td>3.74</td> </tr> <tr> <td>330006NPT</td> <td>1</td> <td>3/8</td> <td>5.90</td> </tr> </tbody> </table>	Part Number	Standard Pack	NPT Thread	Price Per Piece	330002NPT	1	1/8	2.18	330004NPT	1	1/4	3.74	330006NPT	1	3/8	5.90									
Part Number	Standard Pack	NPT Thread	Price Per Piece																							
330002NPT	1	1/8	2.18																							
330004NPT	1	1/4	3.74																							
330006NPT	1	3/8	5.90																							
<h2>3152NPT</h2> 	<h3>NPT Hex Plug</h3> <p>Available In Hollow and Solid Configuration</p> <table border="1"> <thead> <tr> <th>Part Number</th> <th>Standard Pack</th> <th>NPT Thread</th> <th>Price Per Piece</th> </tr> </thead> <tbody> <tr> <td>315202NPT</td> <td>1</td> <td>1/8</td> <td>1.23</td> </tr> <tr> <td>315204NPT</td> <td>1</td> <td>1/4</td> <td>1.89</td> </tr> <tr> <td>315206NPT</td> <td>1</td> <td>3/8</td> <td>2.81</td> </tr> <tr> <td>315208NPT</td> <td>1</td> <td>1/2</td> <td>5.45</td> </tr> </tbody> </table>	Part Number	Standard Pack	NPT Thread	Price Per Piece	315202NPT	1	1/8	1.23	315204NPT	1	1/4	1.89	315206NPT	1	3/8	2.81	315208NPT	1	1/2	5.45					
Part Number	Standard Pack	NPT Thread	Price Per Piece																							
315202NPT	1	1/8	1.23																							
315204NPT	1	1/4	1.89																							
315206NPT	1	3/8	2.81																							
315208NPT	1	1/2	5.45																							

Airline



Using a special beaded barb design, TITON airline fittings provide unparalleled security against the hose pulling off the barb. They are available in sizes ranging from 3/16" to 1", and are manufactured from high quality DZR brass alloy.

ADVANTAGES

Almost impossible to pull hose off. The 6° barbs give exceptional sealing properties, while the end bead provides a shoulder preventing any longitudinal movement of the hose. For added integrity two hose clips may be used.

APPLICATIONS

Use with all rubber, plastic and other flexible hoses. Generally used where lower pressures (750 kPa) are encountered, although with the correct selection of hose and clamp, higher pressures can be accommodated.

WORKING PRESSURES

TITON AirLine Fittings should be used where lower pressures exist (1000 kPa [145 PSI] maximum).

ASSEMBLY

- I. Slide clamp onto hose.
- II. Push hose fully onto barb.
- III. Position clamp in the centre of the barb and tighten.

SPECIAL SIZES

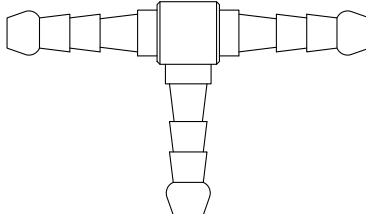
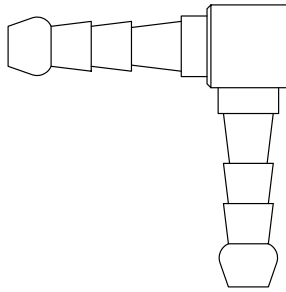
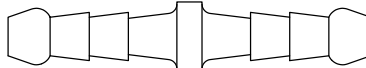
Other sizes not specified are available upon request.

Airline

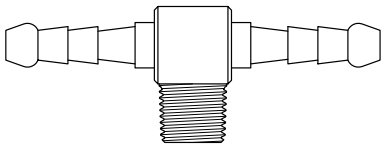
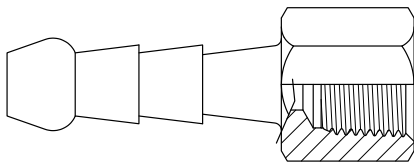
201	Swivel Connector				
	Consists of Nut and Hose Barb				
Part Number	Standard Pack	Tube	Pipe Thread	Price Per Piece	
2010302	50	3/16	G 1/8	13.29	
2010304	50	3/16	G 1/4	3.72	
2010404	50	1/4	G 1/4	3.72	
2010406	50	1/4	G 3/8	5.98	
2010408	*	1/4	G 1/2	14.47	
2010504	50	5/16	G 1/4	3.79	
2010506	25	5/16	G 3/8	5.98	
2010508	25	5/16	G 1/2	10.85	
2010604	25	3/8	G 1/4	4.88	
2010606	25	3/8	G 3/8	5.98	
2010608	25	3/8	G 1/2	9.94	
2010806	25	1/2	G 3/8	9.94	
2010808	25	1/2	G 1/2	9.94	
2011212	5	3/4	G 3/4	27.30	
2011616	5	1"	G 1"	40.16	
201M1508	-	15mm	G 1/2	TBA	

202	Male Elbow				
	Part Number	Standard Pack	Tube	Pipe Thread	Price Per Piece
2020302	25	3/16	1/8 BSPT	10.19	
2020402	25	1/4	1/8 BSPT	10.19	
2020404	25	1/4	1/4 BSPT	14.20	
2020502	25	5/16	1/8 BSPT	10.19	
2020504	25	5/16	1/4 BSPT	12.43	
2020602	25	3/8	1/8 BSPT	12.44	
2020604	20	3/8	1/4 BSPT	12.44	
2020606	20	3/8	3/8 BSPT	21.52	
2020804	20	1/2	1/4 BSPT	17.85	
2020806	20	1/2	3/8 BSPT	18.78	
2020808	10	1/2	1/2 BSPT	22.89	
2021006	10	5/8	3/8 BSPT	21.22	
2021008	1	5/8	1/2 BSPT	26.49	
2021208	1	3/4	1/2 BSPT	43.96	
2021212	1	3/4	3/4 BSPT	42.23	
2021612	1	1"	3/4 BSPT	50.62	
2021616	1	1"	1" BSPT	42.28	

Airline

AirLine Tee					203
Part Number	Standard Pack	Tube	Pipe Thread	Price Per Piece	
20303	10	3/16	-	12.44	
20304	10	1/4	-	12.44	
20305	10	5/16	-	12.44	
20306	10	3/8	-	18.12	
20308	10	1/2	-	33.03	
20310	10	5/8	-	39.83	
20312	1	3/4	-	48.97	
20316	1	1"	-	66.27	
* ALSO AVAILABLE AS Y-PIECE CODE 06075-SIZE					
AirLine Elbow					204
Part Number	Standard Pack	Tube	Pipe Thread	Price Per Piece	
20403	25	3/16	-	9.78	
20404	25	1/4	-	9.78	
20405	20	5/16	-	9.78	
20406	20	3/8	-	13.63	
20408	20	1/2	-	18.12	
20410	10	5/8	-	25.14	
20412	1	3/4	-	39.79	
AirLine Joiner					205
Part Number	Standard Pack	Tube	Tube	Price Per Piece	
20503	25	3/16	-	4.44	
20504	25	1/4	-	4.44	
20505	20	5/16	-	4.44	
20506	20	3/8	-	4.73	
20508	20	1/2	-	6.47	
20510	10	5/8	-	7.24	
20512	10	3/4	-	23.66	
20516	10	1"	-	28.53	

Airline

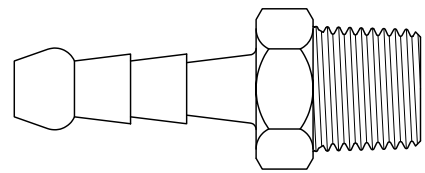
206	Male Branch Tee				
	Part Number	Standard Pack	Tube	Pipe Thread	Price Per Piece
	2060302	20	3/16	1/8 BSPT	12.07
	2060402	20	1/4	1/8 BSPT	12.07
	2060404	20	1/4	1/4 BSPT	15.86
	2060502	20	5/16	1/8 BSPT	12.07
	2060504	20	5/16	1/4 BSPT	15.86
	2060602	20	3/8	1/8 BSPT	14.62
	2060604	20	3/8	1/4 BSPT	17.85
	2060606	20	3/8	3/8 BSPT	18.72
	2060806	20	1/2	3/8 BSPT	26.79
	2060808	10	1/2	1/2 BSPT	35.72
	2061006	10	5/8	3/8 BSPT	36.62
	2061212	1	3/4	3/4 BSPT	38.02
	207	Female Connector			
	Part Number	Standard Pack	Tube	Pipe Thread	Price Per Piece
	2070302	50	3/16	1/8 BSPP	4.94
	2070304	50	3/16	1/4 BSPP	4.94
	2070402	50	1/4	1/8 BSPP	4.87
	2070404	25	1/4	1/4 BSPP	4.53
	2070406	25	1/4	3/8 BSPP	7.82
	2070408	25	1/4	1/2 BSPP	9.00
	2070502	25	5/16	1/8 BSPP	4.94
	2070504	25	5/16	1/4 BSPP	4.53
	2070506	25	5/16	3/8 BSPP	7.35
	2070602	25	3/8	1/8 BSPP	4.87
	2070604	20	3/8	1/4 BSPP	4.53
	2070606	20	3/8	3/8 BSPP	7.35
	2070608	20	3/8	1/2 BSPP	13.31
	2070804	20	1/2	1/4 BSPP	5.69
	2070806	20	1/2	3/8 BSPP	8.74
	2070808	10	1/2	1/2 BSPP	13.31
	2071006	10	5/8	3/8 BSPP	15.75
	2071212	-	3/4	3/4 BSPP	26.21

Airline

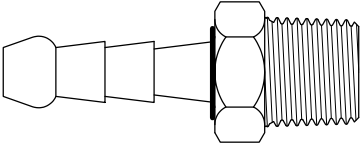
Male Connector

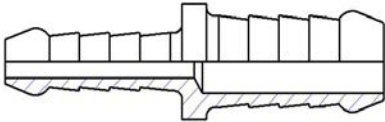
209

Part Number	Standard Pack	Tube	Pipe Thread	Price Per Piece
2090302	50	3/16	1/8 BSPT	2.76
2090304	50	3/16	1/4 BSPT	3.94
2090402	50	1/4	1/8 BSPT	2.57
2090404	25	1/4	1/4 BSPT	3.05
2090406	25	1/4	3/8 BSPT	7.04
2090408	25	1/4	1/2 BSPT	10.15
2090412	25	1/4	3/4 BSPT	21.56
2090502	25	5/16	1/8 BSPT	2.57
2090504	25	5/16	1/4 BSPT	3.05
2090506	25	5/16	3/8 BSPT	7.09
2090508	25	5/16	1/2 BSPT	8.94
2090602	25	3/8	1/8 BSPT	2.57
2090604	20	3/8	1/4 BSPT	2.81
2090606	20	3/8	3/8 BSPT	5.06
2090608	20	3/8	1/2 BSPT	8.94
2090612	20	3/8	3/4 BSPT	21.15
2090802	-	1/2	1/8 BSPT	5.39
2090804	20	1/2	1/4 BSPT	3.69
2090806	20	1/2	3/8 BSPT	5.12
2090808	10	1/2	1/2 BSPT	8.30
2090812	10	1/2	3/4 BSPT	21.15
2091004	10	5/8	1/4 BSPT	8.30
2091006	10	5/8	3/8 BSPT	8.30
2091008	10	5/8	1/2 BSPT	10.24
2091012	10	5/8	3/4 BSPT	21.15
2091204	10	3/4	1/4 BSPT	11.78
2091206	10	3/4	3/8 BSPT	16.60
2091208	10	3/4	1/2 BSPT	13.96
2091212	5	3/4	3/4 BSPT	21.15
2091216	5	3/4	1" BSPT	26.61
2091608	5	1"	1/2 BSPT	26.61
2091612	5	1"	3/4 BSPT	26.61
2091616	5	1"	1" BSPT	26.61



Airline

<h2>209ST</h2> 	<h3>Swivel Male Connector</h3> <p>Hose Is Free To Rotate Independently.</p>				
Part Number	Standard Pack	Tube	Pipe Thread	Price Per Piece	
209ST0404	-	1/4	1/4 BSPT	16.67	
209ST0606	-	3/8	3/8 BSPT	17.54	
209ST0808	-	1/2	1/2 BSPT	21.67	
209ST1212	-	3/4	3/4 BSPT	34.40	

<h2>205R</h2> 	<h3>Air Line Joiner</h3>				
Part Number	Standard Pack	Tube	Tube	Price Per Piece	
205R0403	25	1/4	3/16	4.80	
205R0504	20	5/16	1/4	4.80	
205R0604	20	3/8	1/4	5.11	
205R0605	20	3/8	5/16	5.11	
205R0805	20	1/2	5/16	6.99	
205R0806	20	1/2	3/8	6.99	
205R1006	10	5/8	3/8	7.81	
205R1008	10	5/8	1/2	7.81	
205R1208	10	3/4	1/2	25.55	
205R1210	10	3/4	5/8	25.55	
205R1612	10	1"	3/4	30.81	

Conversion Tables

Pressure		
PSI	kPa	BAR
100	689	6.89
200	1379	13.79
300	2068	20.68
400	2758	27.58
500	3447	34.47
600	4137	41.37
700	4826	48.26
800	5516	55.16
900	6205	62.05
1000	6895	68.95
1100	7584	75.84
1200	8274	82.74
1300	8963	89.63
1400	9653	96.53
1500	10342	103.4

Torque			
ftlb	Nm	Nm	ftlb
10	14	10	7
20	27	20	15
30	41	30	22
40	54	40	30
50	68	50	37
60	81	60	44
70	95	70	52
80	108	80	59
90	122	90	66
100	136	100	74
110	149	110	81
120	163	120	89
130	176	130	96
140	190	140	103
150	203	150	111
160	217	160	118
170	230	170	125
180	244	180	133
190	257	190	140
200	271	200	148
1 ftlb = 1.36 Nm		1 Nm = 0.738 ftlb	

Threads Used on Brass Fittings								
Tube Size	1/8	3/16	1/4	5/16	3/8	1/2	5/8	3/4
45° Flare	5/16-24	3/8-24	7/16-20	1/2-20	5/8-18	3/4-16	7/8-14	1" 1/16-14
	UNF	UNF	UNF	UNF	UNF	UNF	UNF	UN
Inverted Flare	5/16-28	3/8-24	7/16-24	1/2-20	5/8-18	3/4-18	7/8-18	1" 1/16-14
	UN	UNF	UNS	UNF	UNF	UNS	UNS	UN
Compression	5/16-24	3/8-24	7/16-24	1/2-24	9/16-24	11/16-20	13/16-18	1"-18
	UNF	UNF	UNS	UNS	UNEF	UN	UN	UNS

Lever Taps & Cocks



Lever Taps are precision manufactured and ground to ensure positive shut off action. They are available in sizes ranging from 1/8" to 1/2", and are manufactured from high quality grade brass alloy.

ADVANTAGES

Lever Taps are compact and particularly suitable for confined spaces. Ground spindle and seat provide good metal to metal sealing properties.


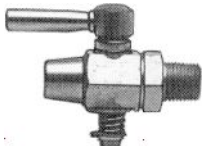

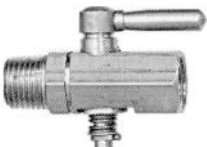
APPLICATIONS

Use where lower pressures exist and precise volume/pressure control is not required. Suitable for fuel, air and water.

WORKING PRESSURES

Lever Taps should be used where pressures do not exceed 825 kPa [120 PSI].

Lever Taps & Cocks

<p>DB1</p> 	<p style="text-align: center;">Bent Drain Cock</p> <table border="1"> <thead> <tr> <th>Part Number</th> <th>Standard Pack</th> <th>Tube</th> <th>Pipe Thread</th> <th>Price Per Piece</th> </tr> </thead> <tbody> <tr> <td>042064-B02</td> <td>1</td> <td>-</td> <td>1/8 BSPT</td> <td>32.96</td> </tr> <tr> <td>042064-B04</td> <td>1</td> <td>-</td> <td>1/4 BSPT</td> <td>32.96</td> </tr> <tr> <td>042064-CB04</td> <td>1</td> <td>-</td> <td>1/4 BSPT</td> <td>44.04</td> </tr> </tbody> </table> <p style="text-align: center;">042064-CB04 is Chrome Plated</p>	Part Number	Standard Pack	Tube	Pipe Thread	Price Per Piece	042064-B02	1	-	1/8 BSPT	32.96	042064-B04	1	-	1/4 BSPT	32.96	042064-CB04	1	-	1/4 BSPT	44.04
Part Number	Standard Pack	Tube	Pipe Thread	Price Per Piece																	
042064-B02	1	-	1/8 BSPT	32.96																	
042064-B04	1	-	1/4 BSPT	32.96																	
042064-CB04	1	-	1/4 BSPT	44.04																	
<p>DT3</p>  <p>IN LINE OFF</p>	<p style="text-align: center;">Drain Cock</p> <table border="1"> <thead> <tr> <th>Part Number</th> <th>Standard Pack</th> <th>Tube</th> <th>Pipe Thread</th> <th>Price Per Piece</th> </tr> </thead> <tbody> <tr> <td>042064-02</td> <td>1</td> <td>-</td> <td>1/8 BSPT</td> <td>25.57</td> </tr> <tr> <td>042064-04</td> <td>1</td> <td>-</td> <td>1/4 BSPT</td> <td>25.57</td> </tr> <tr> <td>042064-06</td> <td>1</td> <td>-</td> <td>3/8 BSPT</td> <td>51.19</td> </tr> </tbody> </table>	Part Number	Standard Pack	Tube	Pipe Thread	Price Per Piece	042064-02	1	-	1/8 BSPT	25.57	042064-04	1	-	1/4 BSPT	25.57	042064-06	1	-	3/8 BSPT	51.19
Part Number	Standard Pack	Tube	Pipe Thread	Price Per Piece																	
042064-02	1	-	1/8 BSPT	25.57																	
042064-04	1	-	1/4 BSPT	25.57																	
042064-06	1	-	3/8 BSPT	51.19																	
<p>104</p> 	<p style="text-align: center;">Female Lever Tap</p> <table border="1"> <thead> <tr> <th>Part Number</th> <th>Standard Pack</th> <th>Tube</th> <th>Pipe Thread</th> <th>Price Per Piece</th> </tr> </thead> <tbody> <tr> <td>042026-02</td> <td>1</td> <td>-</td> <td>1/8 BSPP</td> <td>28.33</td> </tr> <tr> <td>042026-04</td> <td>1</td> <td>-</td> <td>1/4 BSPP</td> <td>28.33</td> </tr> </tbody> </table>	Part Number	Standard Pack	Tube	Pipe Thread	Price Per Piece	042026-02	1	-	1/8 BSPP	28.33	042026-04	1	-	1/4 BSPP	28.33					
Part Number	Standard Pack	Tube	Pipe Thread	Price Per Piece																	
042026-02	1	-	1/8 BSPP	28.33																	
042026-04	1	-	1/4 BSPP	28.33																	
<p>404</p> 	<p style="text-align: center;">Male To Female Lever Tap</p> <table border="1"> <thead> <tr> <th>Part Number</th> <th>Standard Pack</th> <th>Pipe Thread (Female)</th> <th>Pipe Thread (Male)</th> <th>Price Per Piece</th> </tr> </thead> <tbody> <tr> <td>042072-02</td> <td>1</td> <td>1/8 BSPP</td> <td>1/8 BSPT</td> <td>28.67</td> </tr> <tr> <td>042072-04</td> <td>1</td> <td>1/4 BSPP</td> <td>1/4 BSPT</td> <td>28.67</td> </tr> </tbody> </table>	Part Number	Standard Pack	Pipe Thread (Female)	Pipe Thread (Male)	Price Per Piece	042072-02	1	1/8 BSPP	1/8 BSPT	28.67	042072-04	1	1/4 BSPP	1/4 BSPT	28.67					
Part Number	Standard Pack	Pipe Thread (Female)	Pipe Thread (Male)	Price Per Piece																	
042072-02	1	1/8 BSPP	1/8 BSPT	28.67																	
042072-04	1	1/4 BSPP	1/4 BSPT	28.67																	

Needle Valves



Needle Valves allow precise control from fully off to fully on. Manufactured from high quality DZR brass alloy, Needle Valves are available in a variety of connections with sizes ranging from 1/8" to 3/8". In all needle valves Viton o-rings are used.

ADVANTAGES

Precise control due to metal to metal seals and fine thread screw-down. Good pressure rating. Suitable for fuels, water and air.

APPLICATIONS

Precision instrumentation, hydraulic control systems, and anywhere precise control is needed.

WORKING PRESSURES AND TEMPERATURE

TITON Needle Valves should not be used where pressures exceed 3447 kPa [500 PSI] or 100°C.




ASSEMBLY

Where possible, pressure side should be toward valve seat, not spindle.


All Needle valves except NV41, NV43, NVP40 are approved for use with gas (A.G.A. Approval :4104).


Operating Temperature 0 to +90°


Needle Valves

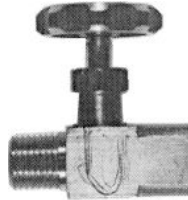
<h2>NV40</h2> 	<h3>45° Flare Angle Needle Valve</h3> <table border="1"> <thead> <tr> <th>Part Number</th> <th>Standard Pack</th> <th>Tube</th> <th>Pipe Thread</th> <th>Price Per Piece</th> </tr> </thead> <tbody> <tr> <td>041008-0402 *</td> <td>1</td> <td>1/4</td> <td>1/8 BSPT</td> <td>41.15</td> </tr> <tr> <td>041008-0502 *</td> <td>1</td> <td>5/16</td> <td>1/8 BSPT</td> <td>53.26</td> </tr> <tr> <td>041008-0604 *</td> <td>1</td> <td>3/8</td> <td>1/4 BSPT</td> <td>67.76</td> </tr> </tbody> </table>	Part Number	Standard Pack	Tube	Pipe Thread	Price Per Piece	041008-0402 *	1	1/4	1/8 BSPT	41.15	041008-0502 *	1	5/16	1/8 BSPT	53.26	041008-0604 *	1	3/8	1/4 BSPT	67.76					
Part Number	Standard Pack	Tube	Pipe Thread	Price Per Piece																						
041008-0402 *	1	1/4	1/8 BSPT	41.15																						
041008-0502 *	1	5/16	1/8 BSPT	53.26																						
041008-0604 *	1	3/8	1/4 BSPT	67.76																						
<h2>NV41</h2> 	<h3>Compression Angle Needle Valve</h3> <table border="1"> <thead> <tr> <th>Part Number</th> <th>Standard Pack</th> <th>Tube</th> <th>Pipe Thread</th> <th>Price Per Piece</th> </tr> </thead> <tbody> <tr> <td>041005-0302 *</td> <td>1</td> <td>3/16</td> <td>1/8 BSPT</td> <td>44.04</td> </tr> <tr> <td>041005-0402 *</td> <td>1</td> <td>1/4</td> <td>1/8 BSPT</td> <td>31.59</td> </tr> <tr> <td>041005-0502 *</td> <td>1</td> <td>5/16</td> <td>1/8 BSPT</td> <td>38.35</td> </tr> <tr> <td>041005-0604 *</td> <td>1</td> <td>3/8</td> <td>1/4 BSPT</td> <td>47.36</td> </tr> </tbody> </table>	Part Number	Standard Pack	Tube	Pipe Thread	Price Per Piece	041005-0302 *	1	3/16	1/8 BSPT	44.04	041005-0402 *	1	1/4	1/8 BSPT	31.59	041005-0502 *	1	5/16	1/8 BSPT	38.35	041005-0604 *	1	3/8	1/4 BSPT	47.36
Part Number	Standard Pack	Tube	Pipe Thread	Price Per Piece																						
041005-0302 *	1	3/16	1/8 BSPT	44.04																						
041005-0402 *	1	1/4	1/8 BSPT	31.59																						
041005-0502 *	1	5/16	1/8 BSPT	38.35																						
041005-0604 *	1	3/8	1/4 BSPT	47.36																						
<h2>NV43</h2> 	<h3>Compression Male Needle Valve</h3> <table border="1"> <thead> <tr> <th>Part Number</th> <th>Standard Pack</th> <th>Tube</th> <th>Pipe Thread</th> <th>Price Per Piece</th> </tr> </thead> <tbody> <tr> <td>041003-0302</td> <td>1</td> <td>3/16</td> <td>1/8 BSPT</td> <td>44.04</td> </tr> <tr> <td>041003-0402</td> <td>1</td> <td>1/4</td> <td>1/8 BSPT</td> <td>41.33</td> </tr> </tbody> </table>	Part Number	Standard Pack	Tube	Pipe Thread	Price Per Piece	041003-0302	1	3/16	1/8 BSPT	44.04	041003-0402	1	1/4	1/8 BSPT	41.33										
Part Number	Standard Pack	Tube	Pipe Thread	Price Per Piece																						
041003-0302	1	3/16	1/8 BSPT	44.04																						
041003-0402	1	1/4	1/8 BSPT	41.33																						

Needle Valves

Barb Angle Needle Valve					 <h2>NVP40</h2>
Part Number	Standard Pack	Tube	Pipe Thread	Price Per Piece	
041606-0302	1	3/16	1/8 BSPT	51.31	
041606-0402	1	1/4	1/8 BSPT	45.38	
041606-0502	1	5/16	1/8 BSPT	50.03	
041606-0504	1	5/16	1/4 BSPT	47.46	
041606-0604	1	3/8	1/4 BSPT	54.33	

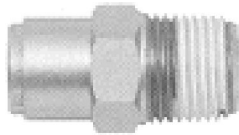

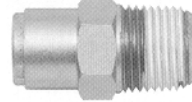
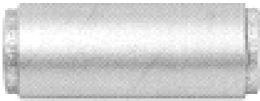

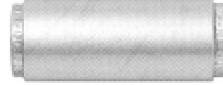
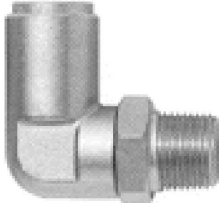
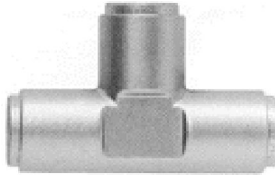


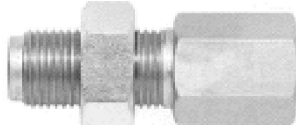
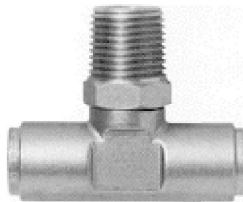





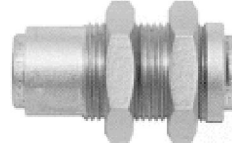
Female Needle Valve					 <h2>NV104</h2>
Part Number	Standard Pack	Tube	Pipe Thread	Price Per Piece	
041026-02	1	-	1/8 BSPP	36.34	
041026-04	1	-	1/4 BSPP	34.64	
041026-06	1	-	3/8 BSPP	45.58	

Male Needle Valve					 <h2>NV105</h2>
Part Number	Standard Pack	Tube	Pipe Thread	Price Per Piece	
041027-02	1	-	1/8 BSPT	28.33	
041027-04	1	-	1/4 BSPT	32.63	

Male to Female Needle Valve					 <h2>NV404</h2>
Part Number	Standard Pack	Pipe Thread (Female)	Pipe Thread (Male)	Price Per Piece	
041072-02	1	1/8 BSPP	1/8 BSPT	46.84	
041072-04	1	1/4 BSPP	1/4 BSPT	39.70	

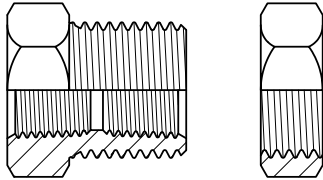
Fleet Fit

Fleet fit push-in fittings are now available from Titon. Please call us for sizes, prices and any other information you require.

IMPERIAL		METRIC
<p>NO FF3 MALE CONNECTOR 35003</p> 	<p>NO.FF13 MALE RUN TEE 35013</p> 	<p>NO FFM3 MALE CONNECTOR 35003 - M</p> 
<p>NO. FF4 TUBE UNION 35004</p> 	<p>NO.FF11 TUBE ELBOW 35011</p> 	<p>NO. FFM4 TUBE UNION 35004 - M</p> 
<p>NO.FF5 MALE ELBOW 35005</p> 	<p>NO. FF14 TUBE TEE 35014</p> 	<p>NO.FFM5 MALE ELBOW 35005-M</p> 
<p>NO.FF12 MALE BRANCH TEE 35012</p> 	<p>NO. FF31F FEMALE BULKHEAD 35031 - F</p> 	<p>NO.FFM12 MALE BRANCH TEE 35012 - M</p> 
<p>NO.FF5 45° MALE ELBOW 35005 - 45</p> 	<p>NO. FF31 BULKHEAD UNION 35031</p> 	<p>NO.FFM11 TUBE ELBOW 35011 - M</p> 
	<p>NO.FF64 BLANKING PLUG 35064</p> 	<p>NO. FFM14 TUBE TEE 35014 - M</p> 
		<p>NO. FFM31 BULKHEAD UNION 35031 - M</p> 

Working pressure 0 - 1050kPa (0 - 150psi) designed for - heavy transport industry Airbrake systems - Airbrake tube SAE J844 Dot - rated brass

BUL

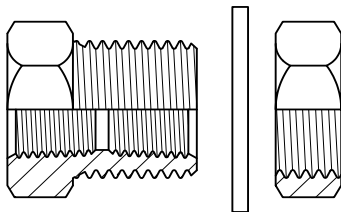


Lightweight Bulkhead Union

Complete with nut.

Part Number	Standard Pack	Length (mm)	Male Thread	Pipe Thread	Price Per Piece
BU02L	2	27	1/4 BSPF	1/8 BSPP	9.97
BU04L	2	30	3/8 BSPF	1/4 BSPP	12.79

BU

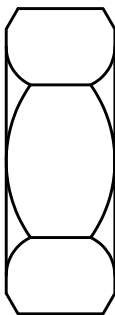


Bulkhead Union

Complete with lock washer and nut.

Part Number	Standard Pack	Length (Inches)	Male Thread	Pipe Thread	Price Per Piece
BU02	2	1.5	5/8 UNF	1/8 BSPT	18.86
BU04	2	1.5	3/4 UNF	1/4 BSPT	22.98
BU06	2	1.5	7/8 UNF	3/8 BSPT	34.48

111



Lock Nut

Part Number	Standard Pack	Tube	Thread	Price Per Piece
11102	5	-	G 1/8	1.37
11104	5	-	G 1/4	2.01
11106	5	-	G 3/8	3.00
11108	5	-	G 1/2	4.48
11112	-	-	G 3/4	5.35
11116	1	-	G 1"	7.46

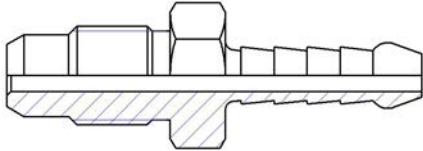
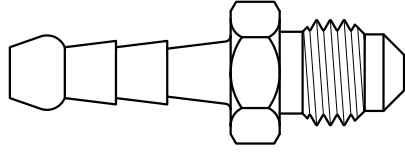
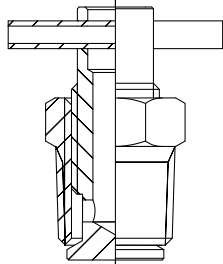
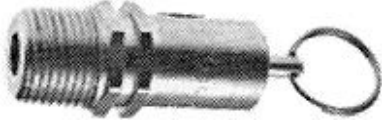
06775



Self Store Fitting

Part Number	Standard Pack	Tube	Pipe Thread	Price Per Piece
06775-0404	1	1/4	1/4	22.80
06775-0604	1	3/8	1/4	27.56
06775-0606	1	3/8	3/8	27.56
06775-0808	1	1/2	1/2	33.25

Miscellaneous

Fuel Filter Adaptor - Long Nose					06C
Part Number	Standard Pack	Tube	Thread	Price Per Piece	
06C-604	10	1/4	1/2 x 20 TPI	8.84	
06C-605	10	5/16	1/2 x 20 TPI	8.84	
06C-606	10	3/8	1/2 x 20 TPI	8.84	
06C-704		1/4 BSP		8.19	
06C-804	ELBOW	1/4 BSP		19.14	
Fuel Filter Adaptor					6C
Part Number	Standard Pack	Tube	Thread	Price Per Piece	
6C0405	10	1/4	1/2 x 20 TPI	8.85	
6C0505	10	5/16	1/2 x 20 TPI	8.85	
6C0605	10	3/8	1/2 x 20 TPI	8.85	
Drain Cock					DC
Part Number	Standard Pack	Tube	Pipe Thread	Price Per Piece	
DC2	1	-	1/8 BSPT	10.92	
DC4	1	-	1/4 BSPT	12.80	
DC6	1	-	3/8 BSPT	15.01	
DC8	1	-	1/2 BSPT	17.01	
Relief Valve					TF206
Part Number	Standard Pack	Release Pressure	Pipe Thread	Price Per Piece	
046406-1050-0	1	1050 kPa	1/4 BSPT	26.99	
046406-1050-0	1	1050 kPa	3/8 BSPT	26.99	
046406-1050-0	1	1050 kPa	1/2 BSPT	26.99	

Hose Clips

295



Mild Steel Jubilee Hose Clips

These clips are zinc plated and approved to BS5315.

Part Number	Standard Pack	Size	Diameter		Price Per Piece
			min (mm)	max (mm)	
295-012	10	OOO	9.5	12	1.14
295-016	10	MOO	11	16	1.14
295-020	10	OO	13	20	1.14
295-022	10	0	16	22	1.32
295-025	10	OX	18	25	1.36
295-030	10	1A	22	30	1.36
295-035	10	1	25	35	1.51
295-040	10	1X	30	40	1.61
295-050	10	2A	35	50	1.66
295-055	10	2	40	55	1.80
295-060	10	2X	45	60	2.20
295-070	10	3	55	70	2.20
295-080	10	3X	60	80	2.33
295-090	10	4	70	90	2.33
295-100	10	4X	85	100	2.43
295-120	10	5	90	120	2.49
295-140	10	6	120	140	2.64
295-165	10	7	135	165	2.89
295-190	10	7½	160	190	4.53

296



Stainless Steel Jubilee Hose Clips

These clips are approved to BS5315.

Part Number	Standard Pack	Size	Diameter		Price Per Piece
			min (mm)	max (mm)	
296-012	10	OOO	9.5	12	3.32
296-016	10	MOO	11	16	3.32
296-020	10	OO	13	20	3.32
296-022	10	0	16	22	3.39
296-025	10	OX	18	25	3.89
296-030	10	1A	22	30	3.90
296-035	10	1	25	35	4.02
296-040	10	1X	30	40	4.00
296-050	10	2A	35	50	4.38
296-055	10	2	40	55	4.60
296-060	10	2X	45	60	4.79
296-070	10	3	55	70	5.13
296-080	10	3X	60	80	5.34
296-090	10	4	70	90	5.74
296-100	10	4X	85	100	5.88
296-120	10	5	90	120	6.22
296-140	10	6	120	140	6.55
296-165	10	7	135	165	7.91

Hose Clips

11

Oetiker 2-Ear Clamps - 5000 kPa

Select nominal clamp size nearest to, but larger than hose OD

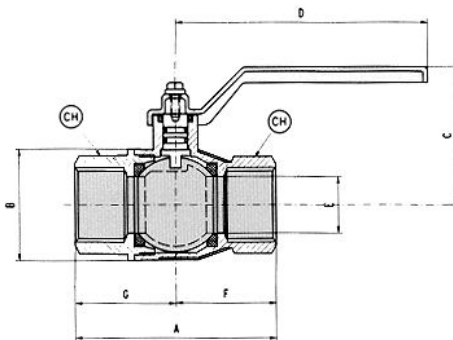
Part Number	Standard Pack	Nominal Size	Open Size mm	Closed Size mm	Price Per Piece
1105-03	25	3/16	5	3	0.69
1107-04	25	1/4	7	5	0.72
1109-05	25	5/16	9	7	0.82
1111-07	25	7/16	11	9	0.86
1113-08	25	1/2	13	11	0.89
1115-09	25	9/16	15	13	1.02
1118-10	25	5/8	18	15	1.28
1120-12	25	3/4	20	17	1.14
1123-14	25	7/8	23	20	1.63
1125-15	25	15/16	25	22	2.17
1127-16	25	1"	27	23	2.01
1128-17	25	1" 1/16	28	25	2.33
1134-21	25	1" 5/16	34	31	4.10
281099	1	CRIMPING PLIERS			
		46			87.69
		43			



Ball Valves (AGA GAS APPROVED)

070

"BERLIN"
FULL FLOW BALL VALVE
FOR GAS ISO 7/1
Rp FEMALE/FEMALE



TECHNICAL FEATURES:

Suitable for industrial, pneumatic, domestic and hydraulic installation: hot water, dry steam, unleaded gasoline, fuel, gas-oil, kerosene, oils, GAS, compressed air, etc. (not suitable with methyl alcohol and saturated steam).

Maximum working Temperature: 60°C

Minimum working temperature: -20°C

Working pressure for gas: PN1 to PN4 (see diagram on page 68), for other purposes (see diagram)

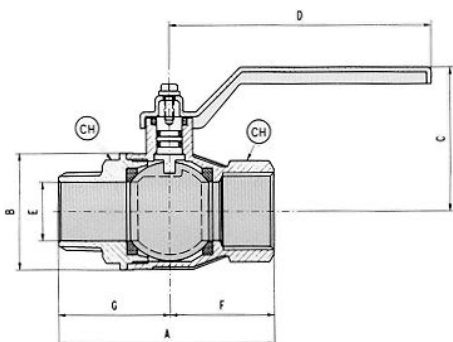
Available in all sizes from 1/4" up to 2"

Thread to BS21-DIN 2999-ISO 7/1 Rp parallel female/female.

CODE	V301	V302	V303	V304	V305	V306	V307	V308
SIZE	1/4"	3/8"	1/2"	3/4"	1"	1 1/4"	1 1/2"	2"
A	51	60	75	80	90	110	120	140
B	25.5	25.5	32.5	42	49.5	59.5	72	86
C	40	40	50	59	63	77	91	97
D	80	80	89	113	113	138	158	158
E	10	10	15	20	25	32	40	50
F	25.5	29.75	37.5	40	45.25	55	60	70.25
G	25.5	29.75	37.5	40	45.25	55	60	70.25
PRICE	13.35	12.61	16.34	24.89	35.91	57.74	81.97	107.89

071

"BERLIN"
FULL FLOW BALL VALVE
FOR GAS ISO 7/1
R MALE/FEMALE



TECHNICAL FEATURES:

Suitable for industrial, pneumatic, domestic and hydraulic installation: hot water, dry steam, unleaded gasoline, fuel, gas-oil, kerosene, oils, GAS, compressed air, etc. (not suitable with methyl alcohol and saturated steam).

Maximum working Temperature: 60°C

Minimum working temperature: -20°C

Working pressure for gas: PN1 to PN4 (see diagram on page 68), for other purposes (see diagram)

Available in all sizes from 1/4" up to 2"

Thread to BS21-DIN 2999-ISO 7/1 Rp parallel female/female.

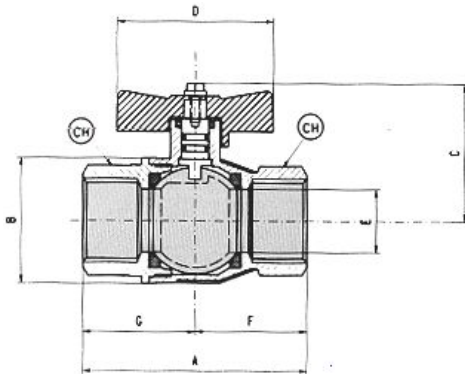
CODE	V321	V322	V323	V324	V325	V326	V327	V328
SIZE	1/4"	3/8"	1/2"	3/4"	1"	1 1/4"	1 1/2"	2"
A	58	63	77	84	92	110	121	141
B	25.5	25.5	32.5	42	49.5	59.5	72	86
C	40	40	50	59	63	77	91	97
D	80	80	89	113	113	138	158	158
E	10	10	15	20	25	32	40	50
F	28.75	31.5	38.5	42	46	55	60.5	70.5
G	28.75	31.5	38.5	42	46	55	60.5	70.5
PRICE	13.19	13.86	17.19	25.37	36.40	57.02	80.47	110.13

Ball Valves (AGA GAS APPROVED)

Nickle Plated Brass

072

"BERLIN"
FULL FLOW BALL VALVE
FOR GAS ISO 7/1
Rp FEMALE/FEMALE
T HANDLE



TECHNICAL FEATURES:

Suitable for industrial, pneumatic, domestic and hydraulic installation: hot water, dry steam, gasoline, fuel, gas-oil, kerosene, oils, GAS, compressed air, etc. (not suitable with methyl alcohol and saturated steam).

Maximum working Temperature: 60°C

Minimum working temperature: -20°C

Working pressure for gas: PN1 to PN4 (see diagram on page 68), for other purposes (see diagram)

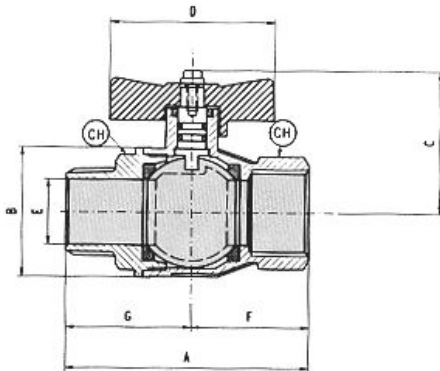
Available in all sizes from 1/4" up to 2"

Thread to BS21-DIN 2999-ISO 7/1 Rp parallel female/female.

CODE	V351	V352	V353	V354	V355
SIZE	1/4"	3/8"	1/2"	3/4"	1"
A	51	60	75	80	90
B	25.5	25.5	32.5	42	49.5
C	37	37	47	49	52
D	54	54	54	63	63
E	10	10	15	20	25
F	25.5	29.75	37.5	40	45.25
G	25.5	29.75	37.5	40	45.25
PRICE	12.05	12.61	16.38	24.82	36.05

073

"BERLIN"
FULL FLOW BALL VALVE
FOR GAS ISO 7/1
R MALE/FEMALE
T HANDLE



TECHNICAL FEATURES:

Suitable for industrial, pneumatic, domestic and hydraulic installation: hot water, dry steam, unleaded gasoline, fuel, gas-oil, kerosene, oils, GAS, compressed air, etc. (not suitable with methyl alcohol and saturated steam).

Maximum working Temperature: 60°C

Minimum working temperature: -20°C

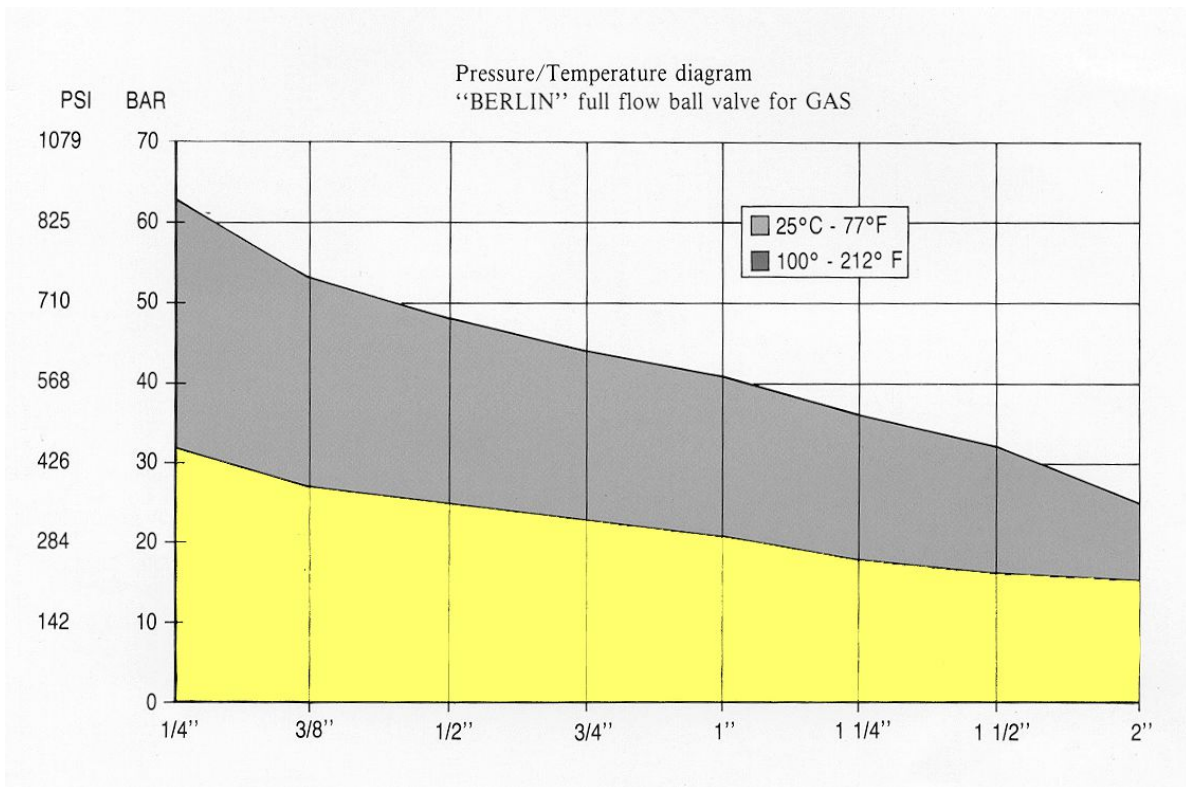
Working pressure for gas: PN1 to PN4 (see diagram on page 68), for other purposes (see diagram)

Available in all sizes from 1/4" up to 2"

Thread to BS21-DIN 2999-ISO 7/1 Rp parallel female/female.

CODE	V371	V372	V373	V374	V375
SIZE	1/4"	3/8"	1/2"	3/4"	1"
A	58	63	77	84	92
B	25.5	25.5	32.5	42	49.5
C	37	37	47	49	52
D	54	54	54	63	63
E	10	10	15	20	25
F	28.75	31.5	38.5	42	46
G	28.75	31.5	38.5	42	46
PRICE	13.19	13.86	17.19	25.37	36.40

Ball Valves (AGA GAS APPROVED)






Titon

INDUSTRIAL FITTINGS

 0800 800 523

 +64 9 634 2893

 +64 9 634 8029

 sales.nz@rwc.com

 orders.nz@rwc.com

 relianceworldwide.co.nz



AN RWC BRAND
Reliance Worldwide Corporation (NZ.) Ltd.
PO BOX 13-349, Onehunga, Auckland 6.
305 Neilson Street, Onehunga, Auckland 1061,
New Zealand | NZBN 9429000011358

