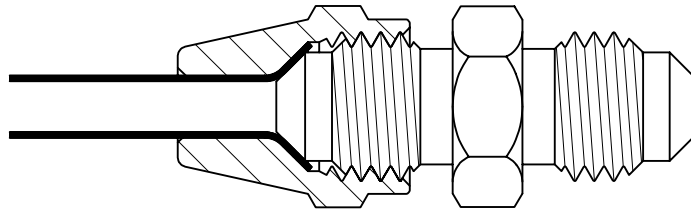


45° Flare

F
L
A
R
E



TITON Flare Fittings are manufactured especially with hazardous liquids and gasses in mind. They are available in sizes ranging from 1/8" to 3/4", and are manufactured from high quality DZR grade brass alloy . All flare fittings conform to the following standards: AS D26, AS3688, AG 601-1995, NZG 1993/76.

ADVANTAGES

May be assembled/disassembled numerous times. When used with the appropriate tubing, they can withstand high pressures. For improved resistance to mechanical vibration, the Long Flare Nut may be used.

APPLICATIONS

Use with copper, brass, aluminium, and flareable steel pipe. Install where medium to high pressures are encountered. Flare Fittings, when used with the Long Flare Nut, provide good resistance to vibration. Ideal for use with fuel, oil, air, water and Natural Gas lines. In Applications where temperatures extremes are encountered we recommend the use of stress-relieved fittings. Please contact our technical sales department for more information.

WORKING PRESSURES

TITON Flare Fittings are able to withstand high pressures, use the table below as a guideline. Usually, pressures are determined by the pipe used, rather than the Flare Fitting.

SPECIAL SIZES

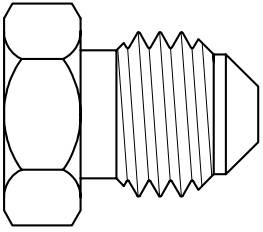
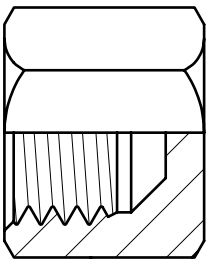
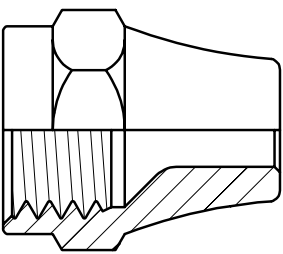
Other sizes not specified are available upon request.

ASSEMBLY

- I. Slide nut, tapered end first, onto tubing.
- II. Using a 45° flaring tool, flare end of tube until flare just fits inside nut. (On thin wall tubing it is recommended a double flare is used to prevent pinch off.)
- III. Assemble to fitting body. Nut should be tightened hand tight.
- IV. Using a wrench, tighten until a leak-proof, metal to metal joint is achieved. To avoid premature failure of the fitting, do not over-tighten.

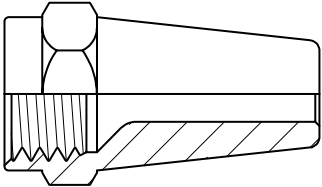
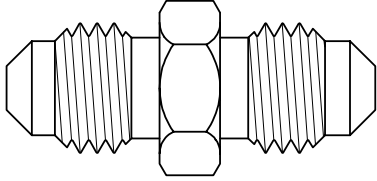
Tube Size	Hydraulic kPa [PSI]	Pneumatic kPa [PSI]
1/8	17250 [2500]	4800 [700]
3/16	17250 [2500]	4800 [700]
1/4	13750 [2000]	4800 [700]
5/16	13750 [2000]	4800 [700]
3/8	10400 [1500]	2750 [400]
1/2	7000 [1020]	1750 [250]
5/8	7000 [1020]	1750 [250]
3/4	7000 [1020]	1750 [250]

45° Flare

<p>39P</p> 	<p style="text-align: center;">Flare Plug</p> <table border="1"> <thead> <tr> <th>Part Number</th> <th>Standard Pack</th> <th>Tube</th> <th>Pipe Thread</th> <th>Price Per Piece</th> </tr> </thead> <tbody> <tr> <td>39P04</td> <td>5</td> <td>1/4</td> <td>-</td> <td></td> </tr> <tr> <td>39P05</td> <td>5</td> <td>5/16</td> <td>-</td> <td></td> </tr> <tr> <td>39P06</td> <td>5</td> <td>3/8</td> <td>-</td> <td></td> </tr> <tr> <td>39P08</td> <td>5</td> <td>1/2</td> <td>-</td> <td></td> </tr> <tr> <td>39P10</td> <td>5</td> <td>5/8</td> <td>-</td> <td></td> </tr> </tbody> </table>	Part Number	Standard Pack	Tube	Pipe Thread	Price Per Piece	39P04	5	1/4	-		39P05	5	5/16	-		39P06	5	3/8	-		39P08	5	1/2	-		39P10	5	5/8	-																
Part Number	Standard Pack	Tube	Pipe Thread	Price Per Piece																																										
39P04	5	1/4	-																																											
39P05	5	5/16	-																																											
39P06	5	3/8	-																																											
39P08	5	1/2	-																																											
39P10	5	5/8	-																																											
<p>40C</p> 	<p style="text-align: center;">Flare Cap</p> <table border="1"> <thead> <tr> <th>Part Number</th> <th>Standard Pack</th> <th>Tube</th> <th>Pipe Thread</th> <th>Price Per Piece</th> </tr> </thead> <tbody> <tr> <td>40C04</td> <td>5</td> <td>1/4</td> <td>-</td> <td></td> </tr> <tr> <td>40C05</td> <td>5</td> <td>5/16</td> <td>-</td> <td></td> </tr> <tr> <td>40C06</td> <td>5</td> <td>3/8</td> <td>-</td> <td></td> </tr> <tr> <td>40C08</td> <td>5</td> <td>1/2</td> <td>-</td> <td></td> </tr> </tbody> </table>	Part Number	Standard Pack	Tube	Pipe Thread	Price Per Piece	40C04	5	1/4	-		40C05	5	5/16	-		40C06	5	3/8	-		40C08	5	1/2	-																					
Part Number	Standard Pack	Tube	Pipe Thread	Price Per Piece																																										
40C04	5	1/4	-																																											
40C05	5	5/16	-																																											
40C06	5	3/8	-																																											
40C08	5	1/2	-																																											
<p>41S</p> 	<p style="text-align: center;">Short Flare Nut</p> <table border="1"> <thead> <tr> <th>Part Number</th> <th>Standard Pack</th> <th>Tube</th> <th>Pipe Thread</th> <th>Price Per Piece</th> </tr> </thead> <tbody> <tr> <td>41S02</td> <td>50</td> <td>1/8</td> <td>-</td> <td></td> </tr> <tr> <td>41S03</td> <td>50</td> <td>3/16</td> <td>-</td> <td></td> </tr> <tr> <td>41S04</td> <td>50</td> <td>1/4</td> <td>-</td> <td></td> </tr> <tr> <td>41S05</td> <td>50</td> <td>5/16</td> <td>-</td> <td></td> </tr> <tr> <td>41S06</td> <td>25</td> <td>3/8</td> <td>-</td> <td></td> </tr> <tr> <td>41S08</td> <td>20</td> <td>1/2</td> <td>-</td> <td></td> </tr> <tr> <td>41S10</td> <td>10</td> <td>5/8</td> <td>-</td> <td></td> </tr> <tr> <td>41S12</td> <td>10</td> <td>3/4</td> <td>-</td> <td></td> </tr> </tbody> </table>	Part Number	Standard Pack	Tube	Pipe Thread	Price Per Piece	41S02	50	1/8	-		41S03	50	3/16	-		41S04	50	1/4	-		41S05	50	5/16	-		41S06	25	3/8	-		41S08	20	1/2	-		41S10	10	5/8	-		41S12	10	3/4	-	
Part Number	Standard Pack	Tube	Pipe Thread	Price Per Piece																																										
41S02	50	1/8	-																																											
41S03	50	3/16	-																																											
41S04	50	1/4	-																																											
41S05	50	5/16	-																																											
41S06	25	3/8	-																																											
41S08	20	1/2	-																																											
41S10	10	5/8	-																																											
41S12	10	3/4	-																																											

45° Flare

**F
L
A
R
E**

Long Flare Nut					41
Offers Improved Resistance To Vibration.					
Part Number	Standard Pack	Tube	Pipe Thread	Price Per Piece	
4102	25	1/8	-		
4103	25	3/16	-		
4104	25	1/4	-		
4105	25	5/16	-		
4106	25	3/8	-		
4108	20	1/2	-		
4110	10	5/8	-		
4112	10	3/4	-		
Double Flare Union					
For Reducing Unions See No 58.					
Part Number	Standard Pack	Tube	Pipe Thread	Price Per Piece	
4202	20	1/8	-		
4203	20	3/16	-		
4204	25	1/4	-		
4205	25	5/16	-		
4206	25	3/8	-		
4208	10	1/2	-		
4210	10	5/8	-		
4212	10	3/4	-		
Flare Tee					
Part Number	Standard Pack	Tube	Pipe Thread	Price Per Piece	
4402	10	1/8	-		
4403	10	3/16	-		
4404	10	1/4	-		
4405	10	5/16	-		
4406	10	3/8	-		
4408	10	1/2	-		
4410	10	5/8	-		
4412	10	3/4	-		

* Manufactured to order only.

45° Flare

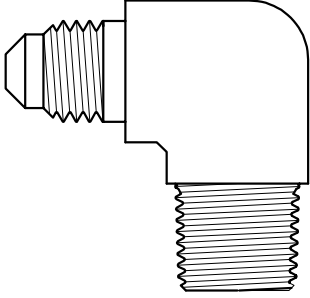
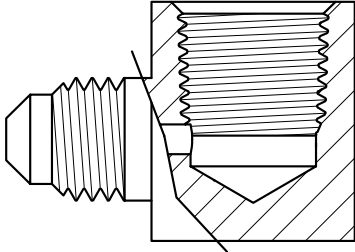
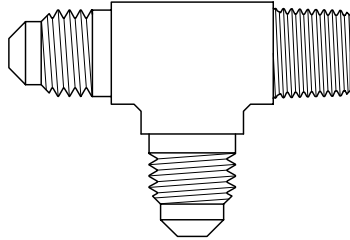
45	Flare Male Branch Tee				
	Part Number	Standard Pack	Tube	Pipe Thread	Price Per Piece
	450202	10	1/8	1/8 BSPT	
	450302	10	3/16	1/8 BSPT	
	450402	10	1/4	1/8 BSPT	
	450404	10	1/4	1/4 BSPT	
	450502	10	5/16	1/8 BSPT	
	450604	10	3/8	1/4 BSPT	
	450806	10	1/2	3/8 BSPT	
46	Flare Female Connector				
	Part Number	Standard Pack	Tube	Pipe Thread	Price Per Piece
	480202	20	1/8	1/8 BSPT	
	480302	20	3/16	1/8 BSPT	
	480304	-	3/16	1/4 BSPT	
	480402	20	1/4	1/8 BSPT	
	480404	20	1/4	1/4 BSPT	
	480406	20	1/4	3/8 BSPT	
	480408	20	1/4	1/2 BSPT	
	480502	20	5/16	1/8 BSPT	
	480504	20	5/16	1/4 BSPT	
	480506	20	5/16	3/8 BSPT	
	480508	-	5/16	1/2 BSPT	
	480602	20	3/8	1/8 BSPT	
	480604	20	3/8	1/4 BSPT	
	480606	20	3/8	3/8 BSPT	
	480608	20	3/8	1/2 BSPT	
	480612	10	3/8	3/4 BSPT	
	480804	20	1/2	1/4 BSPT	
	480806	10	1/2	3/8 BSPT	
	480808	10	1/2	1/2 BSPT	
	480812	-	1/2	3/4 BSPT	
	481006	5	5/8	3/8 BSPT	
	481008	5	5/8	1/2 BSPT	
481012	5	5/8	3/4 BSPT		
481208	5	3/4	1/2 BSPT		
481212	5	3/4	3/4 BSPT		

45° Flare

**F
L
A
R
E**

Flare Male Connector					48	
Part Number	Standard Pack	Tube	Pipe Thread	Price Per Piece		
480202	20	1/8	1/8 BSPT			
480302	20	3/16	1/8 BSPT			
480304	-	3/16	1/4 BSPT			
480402	20	1/4	1/8 BSPT			
480404	20	1/4	1/4 BSPT			
480406	20	1/4	3/8 BSPT			
480408	20	1/4	1/2 BSPT			
480502	20	5/16	1/8 BSPT			
480504	20	5/16	1/4 BSPT			
480506	20	5/16	3/8 BSPT			
480508	-	5/16	1/2 BSPT			
480602	20	3/8	1/8 BSPT			
480604	20	3/8	1/4 BSPT			
480606	20	3/8	3/8 BSPT			
480608	20	3/8	1/2 BSPT			
480612	10	3/8	3/4 BSPT			
480804	20	1/2	1/4 BSPT			
480806	10	1/2	3/8 BSPT			
480808	10	1/2	1/2 BSPT			
480812	-	1/2	3/4 BSPT			
481006	5	5/8	3/8 BSPT			
481008	5	5/8	1/2 BSPT			
481012	5	5/8	3/4 BSPT			
481208	5	3/4	1/2 BSPT			
481212	5	3/4	3/4 BSPT			
Flare Male Elbow						49
Part Number	Standard Pack	Tube	Pipe Thread	Price Per Piece		
490202	20	1/8	1/8 BSPT			
490302	20	3/16	1/8 BSPT			
490402	25	1/4	1/8 BSPT			
490404	25	1/4	1/4 BSPT			
490406	25	1/4	3/8 BSPT			
490502	25	5/16	1/8 BSPT			
490504	25	5/16	1/4 BSPT			
490506	25	5/16	3/8 BSPT			

45° Flare

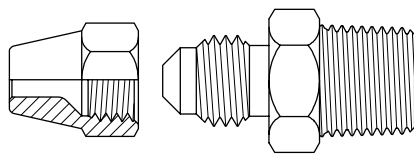
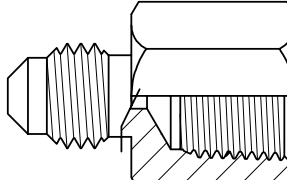
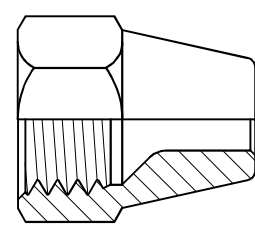
<p>...Continued from previous page</p> <p>49</p> 	<p style="text-align: center;">Flare Male Elbow</p> <table border="1"> <thead> <tr> <th>Part Number</th> <th>Standard Pack</th> <th>Tube</th> <th>Pipe Thread</th> <th>Price Per Piece</th> </tr> </thead> <tbody> <tr> <td>490602</td> <td>20</td> <td>3/8</td> <td>1/8 BSPT</td> <td></td> </tr> <tr> <td>490604</td> <td>20</td> <td>3/8</td> <td>1/4 BSPT</td> <td></td> </tr> <tr> <td>490606</td> <td>10</td> <td>3/8</td> <td>3/8 BSPT</td> <td></td> </tr> <tr> <td>490608</td> <td>10</td> <td>3/8</td> <td>1/2 BSPT</td> <td></td> </tr> <tr> <td>490804</td> <td>10</td> <td>1/2</td> <td>1/4 BSPT</td> <td></td> </tr> <tr> <td>490806</td> <td>10</td> <td>1/2</td> <td>3/8 BSPT</td> <td></td> </tr> <tr> <td>490808</td> <td>10</td> <td>1/2</td> <td>1/2 BSPT</td> <td></td> </tr> <tr> <td>491008</td> <td>5</td> <td>5/8</td> <td>1/2 BSPT</td> <td></td> </tr> <tr> <td>491208</td> <td>5</td> <td>3/4</td> <td>1/2 BSPT</td> <td></td> </tr> </tbody> </table>	Part Number	Standard Pack	Tube	Pipe Thread	Price Per Piece	490602	20	3/8	1/8 BSPT		490604	20	3/8	1/4 BSPT		490606	10	3/8	3/8 BSPT		490608	10	3/8	1/2 BSPT		490804	10	1/2	1/4 BSPT		490806	10	1/2	3/8 BSPT		490808	10	1/2	1/2 BSPT		491008	5	5/8	1/2 BSPT		491208	5	3/4	1/2 BSPT	
Part Number	Standard Pack	Tube	Pipe Thread	Price Per Piece																																															
490602	20	3/8	1/8 BSPT																																																
490604	20	3/8	1/4 BSPT																																																
490606	10	3/8	3/8 BSPT																																																
490608	10	3/8	1/2 BSPT																																																
490804	10	1/2	1/4 BSPT																																																
490806	10	1/2	3/8 BSPT																																																
490808	10	1/2	1/2 BSPT																																																
491008	5	5/8	1/2 BSPT																																																
491208	5	3/4	1/2 BSPT																																																
<p>50</p> 	<p style="text-align: center;">Flare Female Elbow</p> <table border="1"> <thead> <tr> <th>Part Number</th> <th>Standard Pack</th> <th>Tube</th> <th>Pipe Thread</th> <th>Price Per Piece</th> </tr> </thead> <tbody> <tr> <td>500402</td> <td>1</td> <td>1/4</td> <td>1/8 BSPP</td> <td></td> </tr> <tr> <td>500502</td> <td>1</td> <td>5/16</td> <td>1/8 BSPP</td> <td></td> </tr> <tr> <td>500604</td> <td>1</td> <td>3/8</td> <td>1/4 BSPP</td> <td></td> </tr> <tr> <td>500806</td> <td>1</td> <td>1/2</td> <td>3/8 BSPP</td> <td></td> </tr> </tbody> </table>	Part Number	Standard Pack	Tube	Pipe Thread	Price Per Piece	500402	1	1/4	1/8 BSPP		500502	1	5/16	1/8 BSPP		500604	1	3/8	1/4 BSPP		500806	1	1/2	3/8 BSPP																										
Part Number	Standard Pack	Tube	Pipe Thread	Price Per Piece																																															
500402	1	1/4	1/8 BSPP																																																
500502	1	5/16	1/8 BSPP																																																
500604	1	3/8	1/4 BSPP																																																
500806	1	1/2	3/8 BSPP																																																
<p>51</p> 	<p style="text-align: center;">Flare Male Run Tee</p> <table border="1"> <thead> <tr> <th>Part Number</th> <th>Standard Pack</th> <th>Tube</th> <th>Pipe Thread</th> <th>Price Per Piece</th> </tr> </thead> <tbody> <tr> <td>510402</td> <td>1</td> <td>1/4</td> <td>1/8 BSPT</td> <td></td> </tr> <tr> <td>510604</td> <td>1</td> <td>3/8</td> <td>1/4 BSPT</td> <td></td> </tr> <tr> <td>510806</td> <td>1</td> <td>1/2</td> <td>3/8 BSPT</td> <td></td> </tr> </tbody> </table>	Part Number	Standard Pack	Tube	Pipe Thread	Price Per Piece	510402	1	1/4	1/8 BSPT		510604	1	3/8	1/4 BSPT		510806	1	1/2	3/8 BSPT																															
Part Number	Standard Pack	Tube	Pipe Thread	Price Per Piece																																															
510402	1	1/4	1/8 BSPT																																																
510604	1	3/8	1/4 BSPT																																																
510806	1	1/2	3/8 BSPT																																																

45° Flare

**F
L
A
R
E**

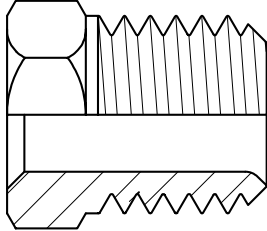
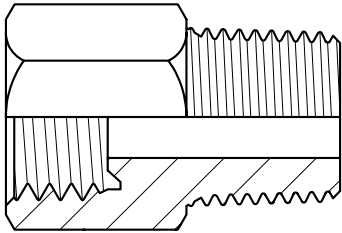
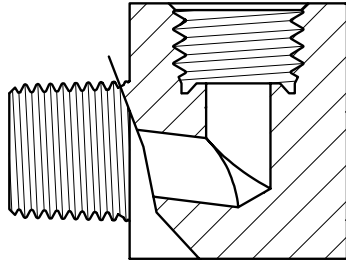
Flare 90° Elbow					55
Part Number	Standard Pack	Tube	Pipe Thread	Price Per Piece	
5502	10	1/8	-		
5503	10	3/16	-		
5504	10	1/4	-		
5505	10	5/16	-		
5506	10	3/8	-		
5508	10	1/2	-		
5510	10	5/8	-		
Reducing Flare Union For Double Flare Unions See No 42.					
Part Number	Standard Pack	Tube	Tube	Price Per Piece	
580403	10	1/4	3/16		
580504	10	5/16	1/4		
580604	10	3/8	1/4		
580605	10	3/8	5/16		
580806	10	1/2	3/8		

45° Gas Flare

<p>GFC</p> 	<p align="center">Gas Flare Assembly</p> <p align="center">Consists of GFN Nut and GFM Connector</p> <table border="1"> <thead> <tr> <th>Part Number</th> <th>Standard Pack</th> <th>Tube</th> <th>Pipe Thread</th> <th>Price Per Piece</th> </tr> </thead> <tbody> <tr> <td>GFC1006</td> <td>10</td> <td>10 mm</td> <td>3/8 BSPT</td> <td></td> </tr> <tr> <td>GFC1008</td> <td>10</td> <td>10 mm</td> <td>1/2 BSPT</td> <td></td> </tr> <tr> <td>GFC1508</td> <td>10</td> <td>15 mm</td> <td>1/2 BSPT</td> <td></td> </tr> <tr> <td>GFC2012</td> <td>10</td> <td>20 mm</td> <td>3/4 BSPT</td> <td></td> </tr> </tbody> </table>	Part Number	Standard Pack	Tube	Pipe Thread	Price Per Piece	GFC1006	10	10 mm	3/8 BSPT		GFC1008	10	10 mm	1/2 BSPT		GFC1508	10	15 mm	1/2 BSPT		GFC2012	10	20 mm	3/4 BSPT	
Part Number	Standard Pack	Tube	Pipe Thread	Price Per Piece																						
GFC1006	10	10 mm	3/8 BSPT																							
GFC1008	10	10 mm	1/2 BSPT																							
GFC1508	10	15 mm	1/2 BSPT																							
GFC2012	10	20 mm	3/4 BSPT																							
<p>GFF</p>  <p>Stress Relieved</p>	<p align="center">Gas Flare Female Connector</p> <table border="1"> <thead> <tr> <th>Part Number</th> <th>Standard Pack</th> <th>Tube</th> <th>Pipe Thread</th> <th>Price Per Piece</th> </tr> </thead> <tbody> <tr> <td>GFF1508</td> <td>10</td> <td>15 mm</td> <td>1/2 BSPT</td> <td></td> </tr> <tr> <td>GFF2012</td> <td>10</td> <td>20 mm</td> <td>3/4 BSPT</td> <td></td> </tr> </tbody> </table>	Part Number	Standard Pack	Tube	Pipe Thread	Price Per Piece	GFF1508	10	15 mm	1/2 BSPT		GFF2012	10	20 mm	3/4 BSPT											
Part Number	Standard Pack	Tube	Pipe Thread	Price Per Piece																						
GFF1508	10	15 mm	1/2 BSPT																							
GFF2012	10	20 mm	3/4 BSPT																							
<p>GFN</p>  <p>Stress Relieved</p>	<p align="center">Gas Flare Nut</p> <table border="1"> <thead> <tr> <th>Part Number</th> <th>Standard Pack</th> <th>Tube</th> <th>Pipe Thread</th> <th>Price Per Piece</th> </tr> </thead> <tbody> <tr> <td>GFN10</td> <td>10</td> <td>10 mm</td> <td>-</td> <td></td> </tr> <tr> <td>GFN15</td> <td>10</td> <td>15 mm</td> <td>-</td> <td></td> </tr> <tr> <td>GFN20</td> <td>10</td> <td>20 mm</td> <td>-</td> <td></td> </tr> </tbody> </table>	Part Number	Standard Pack	Tube	Pipe Thread	Price Per Piece	GFN10	10	10 mm	-		GFN15	10	15 mm	-		GFN20	10	20 mm	-						
Part Number	Standard Pack	Tube	Pipe Thread	Price Per Piece																						
GFN10	10	10 mm	-																							
GFN15	10	15 mm	-																							
GFN20	10	20 mm	-																							

45° Inverted Flare

**F
L
A
R
E**

Inverted Flare Nut					105
Part Number	Standard Pack	Tube	Pipe Thread	Price Per Piece	
10502	20	1/8	-		
10503	20	3/16	-		
10504	20	1/4	-		
10505	20	5/16	-		
10506	20	3/8	-		
10508	10	1/2	-		
Inverted Flare Male Connector					200
Part Number	Standard Pack	Tube	Pipe Thread	Price Per Piece	
2000302	20	3/16	1/8 BSPT		
2000402	20	1/4	1/8 BSPT		
2000404	20	1/4	1/4 BSPT		
2000502	20	5/16	1/8 BSPT		
2000504	20	5/16	1/4 BSPT		
2000604	10	3/8	1/4 BSPT		
2000806	10	1/2	3/8 BSPT		
Inverted Flare Male Elbow					400
Part Number	Standard Pack	Tube	Pipe Thread	Price Per Piece	
4000202	10	1/8	1/8 BSPT		
4000302	10	3/16	1/8 BSPT		
4000402	20	1/4	1/8 BSPT		
4000404	20	1/4	1/4 BSPT		
4000502	20	5/16	1/8 BSPT		
4000504	20	5/16	1/4 BSPT		
4000604	10	3/8	1/4 BSPT		
4000606	10	3/8	3/8 BSPT		
4000806	10	1/2	3/8 BSPT		



To:
 IMI TITON LTD
 305 NEILSON STREET
 ONEHUNGA, AUCKLAND 6
 Ph: (09) 634-2894
 Fax: (09) 634-0030
 Email: sales@titon.co.nz

From:

ORDER No: _____ Date: _____

Flare Plug		
Size	Order	Pack
39P04		5
39P05		5
39P06		5
39P08		5
39P10		5
Flare Cap		
40C04		5
40C05		5
40C06		5
40C08		5
Standard Flare Nut		
41S02		50
41S03		50
41S04		50
41S05		50
41S06		25
41S08		20
41S10		10
41S12		10
Long Flare Nut		
4102		25
4103		25
4104		25
4105		25
4106		25
4108		20
4110		10
4112		10
Flare Union		
4202		20
4203		20
4204		25
4205		25
4206		25
4208		10
4210		10
4212		10

Flare Tee		
Size	Order	Pack
4402		10
4403		10
4404		10
4405		10
4406		10
4410		10
4412		10
F.M.B. Tee		
450202		10
450302		10
450402		10
450404		10
450502		10
450604		10
450806		10
Female Connector		
460602		10
460302		10
460402		10
460404		10
460406		10
460502		10
460504		10
460602		10
460604		10
460606		10
460608		10
460804		10
460806		10
460808		10
461208		10
Male Connector		
480202		20
480302		20
480304		10
480402		20
480404		20

F.F. Elbow		
Size	Order	Pack
500402		1
500502		1
500604		1
500806		1
F.M.R. Tee		
510402		1
510604		1
510806		1
Flare 90° Elbow		
5502		10
5503		10
5504		10
5505		10
5506		10
5508		10
5510		10
Reducing Union		
580403		10
580504		10
580604		10
580605		10
580806		10
G.F.C.		
GFC1006		10
GFC1008		10
GFC1508		10
GFC2012		10
G.F.F.		
GFF1508		10
GFF2012		10
G.F.N.		
GFN10		10
GFN15		10
GFN20		10